

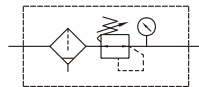
MAFR401 series

AIR UNIT (F.R.UNIT)



Option: **MP41**

Symbol



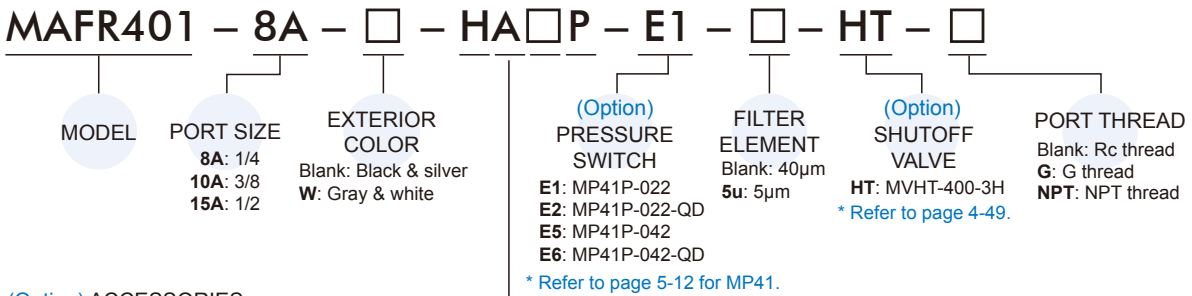
Specification

Model	MAFR401		
Bore No.	8A	10A	15A
Port size	1/4	3/8	1/2
Medium	Air		
Operating pressure range (*)	0.05~1.5 MPa		
Proof pressure	2 MPa		
Regulated pressure range	Standard type: 0.1~0.85 MPa		
	High pressure type: 0.1~1.5 MPa		
Ambient temperature	- 5~+60°C (No freezing)		
Filter element	Standard: 40µm, Option: 5µm		
Drain capacity	70 cm ³		
Attachment	Pressure gauge(PG-20),L-type bracket		
Weight	800 g		

* Standard unit contains semi-auto-drain function when operating pressure below 0.05 MPa.

* Choose auto-drain FMRF300, the pressure range is 0.15~1 MPa.

Order example



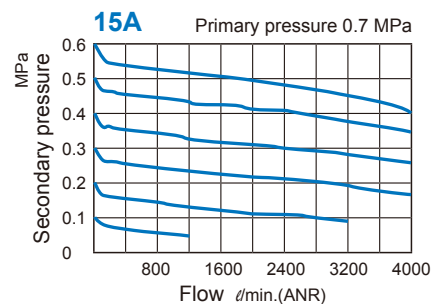
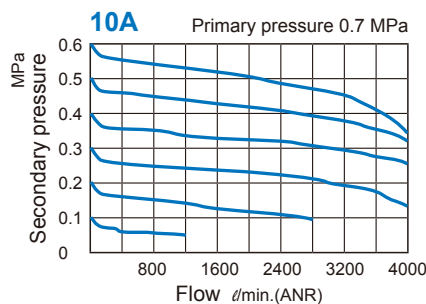
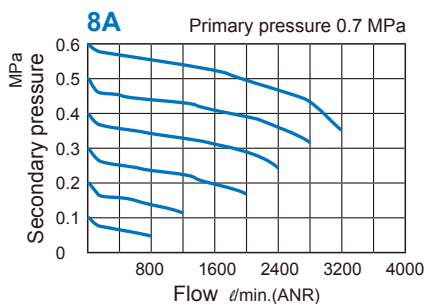
(Option) ACCESSORIES

Type	Pressure gauge	Drain valve	Pressure switch
Blank: Standard type	Blank: Pressure gauge (PG-20) C: External pressure gauge (PG-40) + Gauge adapter set (A-MAR401) A: Gauge adapter set (A-MAR401)	Blank: Semi-auto drain D: Auto drain valve (FMRF300)	P: Pressure switch (MPS series)
H: High pressure type	C: External pressure gauge (PG-40) + Gauge adapter set (A-MAR401) A: Gauge adapter set (A-MAR401)	Blank: Semi-auto drain	-

* PG-40 (C), A-MAR302 (A) and MP41 (E*) can not be selected at the same time.

* Specification (W) gauge adapter set (A-MAR302).

Flow feature

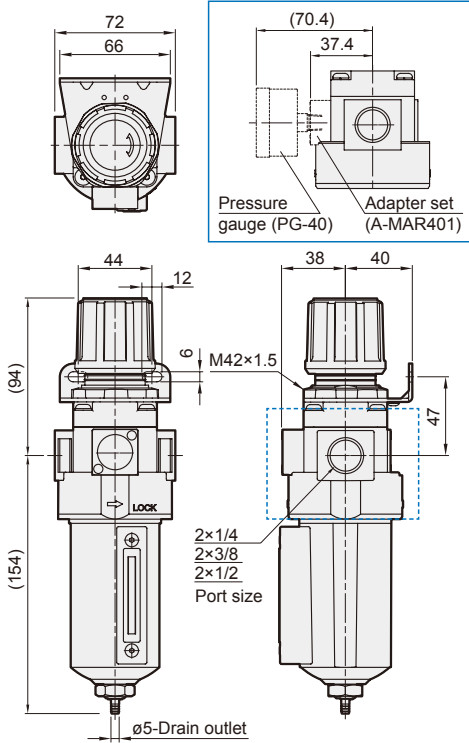


MAFR401/MAFR401-HT Dimensions



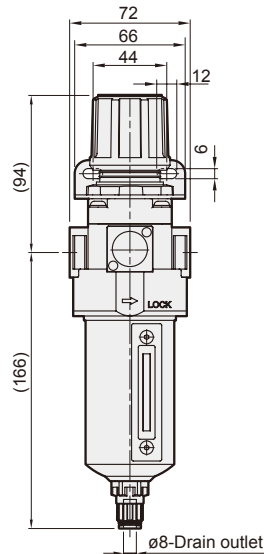
AIR UNIT (F.R.UNIT)

Accessories



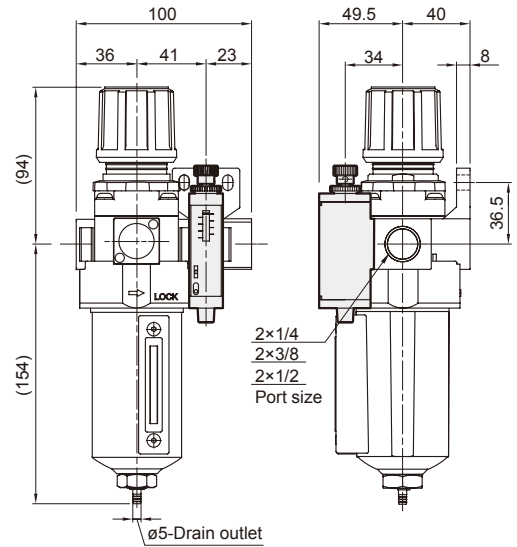
MAFR401-D

Auto drain valve

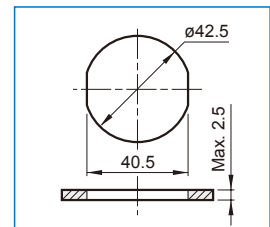


MAFR401-P

MPS Series
pneumatic pressure switch

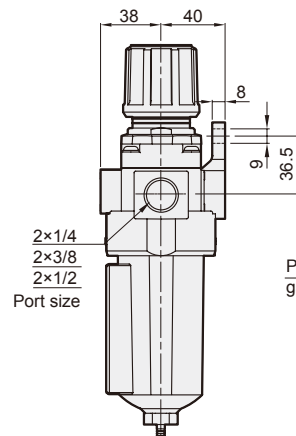
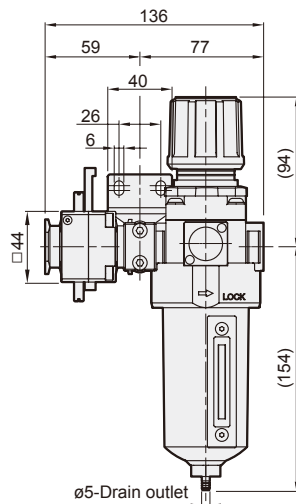


Panel mounting hole



MAFR401-HT

With shutoff valve (MVHT-400)



Accessories

