

THIS DRAWING IS UNPUBLISHED.

RELEASED FOR PUBLICATION

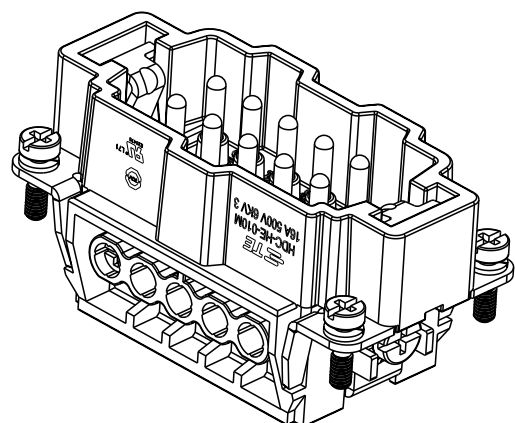
20

© COPYRIGHT 20 BY -

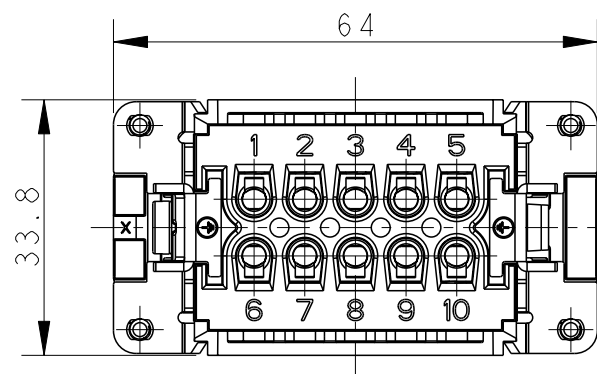
ALL RIGHTS RESERVED.

REVISIONS

P	LTR	DESCRIPTION	DATE	DWN	APVD
A		INITIAL RELEASE	06APR2015	GY	CW
B		ECR-15-013759	27SEP2015	DW	CW
B1		ECR-16-011988	25AUG2016	YC	CW
B2		ECR-18-017123	10DEC2018	KW	CW



TYPE 1, T2040102101-000, WITH LOGO  
 类型 1, T2040102101-000, 带LOGO



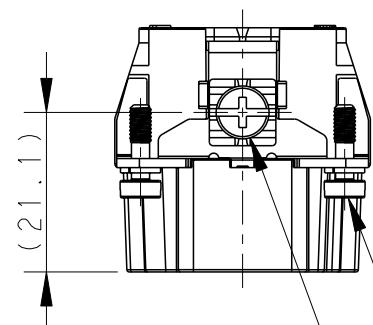
10X M3 SCREW, RECOMMENDED  
 TIGHTENING TORQUE 0.5Nm  
 10X M3螺丝, 推荐锁紧力矩0.5Nm

NOTES:

1. TECHNICAL CHARACTERISTICS:  
 INSULATION MATERIAL: PC  
 RATED VOLTAGE: 500V  
 RATED CURRENT: 16A  
 INSULATION RESISTANCE:  $\geq 400M\Omega$   
 RATED IMPULSE VOLTAGE: 6KV  
 POLLUTION DEGREE: 3  
 FLAMMABILITY: UL94V-0  
 MATING CYCLES: 500 CYCLES  
 WIRE RANGE:  $0.5mm^2 \sim 2.5mm^2$  (AWG20-AWG14)  
 CONTACT TYPE: SCREW CLAMP (M3)

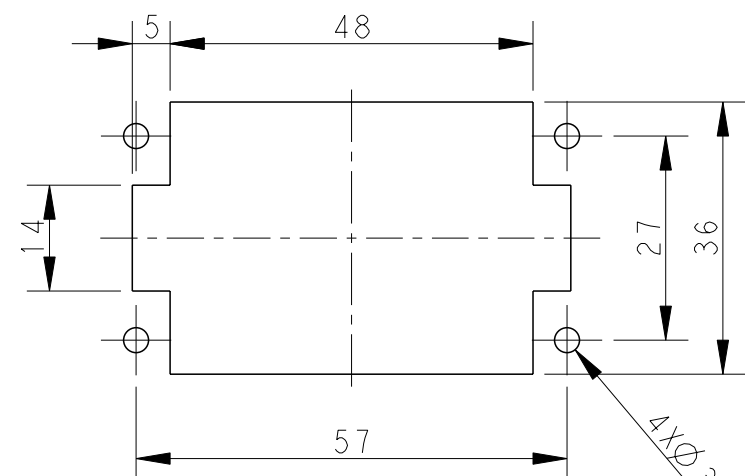
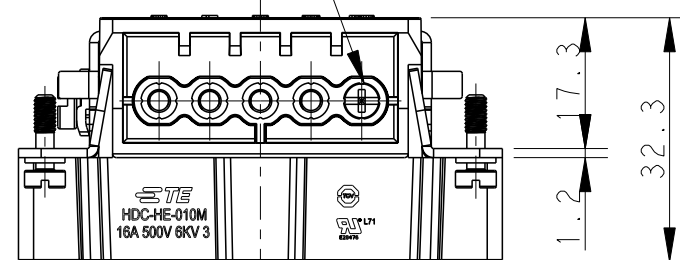
注释:

1. 技术参数:  
 绝缘材料: PC  
 额定电压: 500V  
 额定电流: 16A  
 绝缘电阻:  $\geq 400M\Omega$   
 脉冲电压: 6KV  
 污染等级: 3  
 阻燃等级: UL94V-0  
 插拔次数: 500 次  
 接线范围:  $0.5mm^2 \sim 2.5mm^2$  (AWG20-AWG14)  
 接线类型: 螺丝压接 (M3)

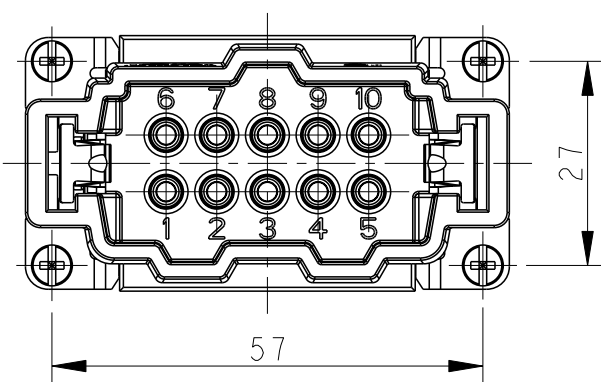


4X M3 SCREW, RECOMMENDED  
 TIGHTENING TORQUE 0.5Nm  
 4X M3螺丝, 推荐锁紧力矩0.5Nm

M4 SCREW, RECOMMENDED  
 TIGHTENING TORQUE 1.2Nm  
 M4螺丝, 推荐锁紧力矩1.2Nm



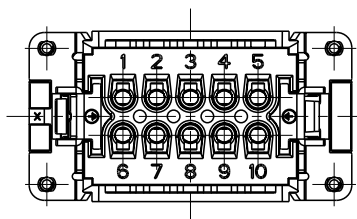
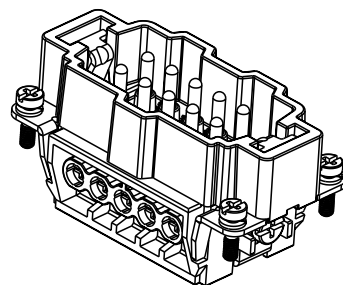
PANEL CUT FOR INSERTS FOR USE  
 WITHOUT HOODS/ HOUSINGS  
 不使用防护外壳时芯件的安装开孔图



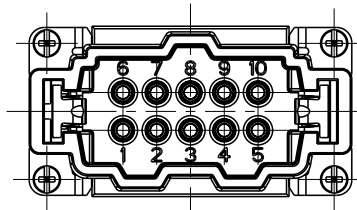
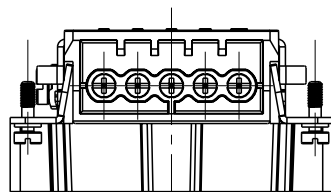
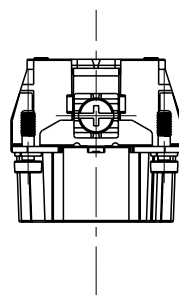
THIS DRAWING IS A CONTROLLED DOCUMENT.		DWN	06APR2015		 TE Connectivity
		CHK	06APR2015		
		APVD	06APR2015		
		NAME	HE-010-M		
DIMENSIONS:		TOLERANCES UNLESS OTHERWISE SPECIFIED:		PRODUCT SPEC	108-137044
-		0 PLC ±-		APPLICATION SPEC	114-137044
		1 PLC ±-		WEIGHT	-
		2 PLC ±-		SIZE	A3
		3 PLC ±-		CAGE CODE	00779
		4 PLC ±-		DRAWING NO	C-T2040102101000
		ANGLES ±-		RESTRICTED TO	-
MATERIAL		FINISH		SCALE	1:1
-		-		SHEET	1 OF 2
-		-		REV	B2

REVISIONS

P	LTR	DESCRIPTION	DATE	DWN	APVD
-	-	SEE SHEET 1	-	-	-

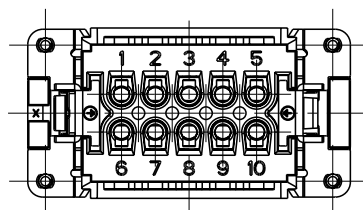
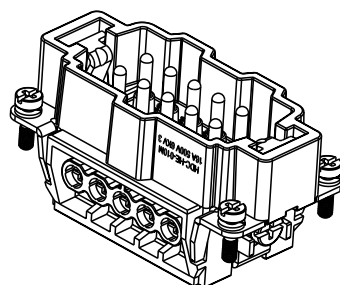


TYPE 2, T2040102101-001, WITHOUT LASER SIDE MARK  
 类型 2, T2040102101-001, 不带侧面激光标识

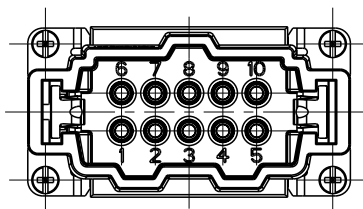
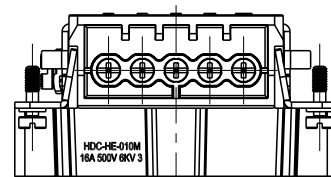
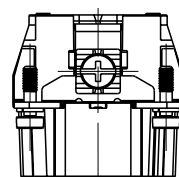


NOTE:  
ALL SPEC REFER TO TYPE 1

注释:  
所有产品规范参照 TYPE 1



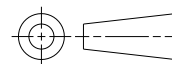
TYPE 3, T2049102101-000, LASER WITHOUT LOGO  
 类型 3, T2049102101-000, 激光标识不带 LOGO



T2040102101-000	HE-010-M	HE-010 MALE INSERT HE-010 公插	TYPE 1
T2040102101-001	HE-010-M	HE-010 MALE INSERT, WITHOUT LASER SIDE MARK HE-010 公插, 无激光侧面标识	TYPE 2
T2049102101-000	HE-010-M	HE-010 MALE INSERT, WITHOUT LOGO HE-010 公插, 无LOGO	TYPE 3
PART NUMBER 料号	PART DESCRIPTION 描述		TYPE 类型

THIS DRAWING IS A CONTROLLED DOCUMENT.

DIMENSIONS:  
mm



TOLERANCES UNLESS OTHERWISE SPECIFIED:

0 PLC	±-
1 PLC	±-
2 PLC	±-
3 PLC	±-
4 PLC	±-
ANGLES	±-
FINISH	-

MATERIAL  
-

DWN GINO YAO 06APR2015  
 CHK CHRIS WANG 06APR2015  
 APVD XIANG XU 06APR2015

PRODUCT SPEC 108-137044  
 APPLICATION SPEC 114-137044  
 WEIGHT -

CUSTOMER DRAWING



TE Connectivity

NAME  
HE-010-M

SIZE	CAGE CODE	DRAWING NO	RESTRICTED TO
A3	00779	©-T2040102101000	-

SCALE 2:3 SHEET 2 OF 2 REV B2