

## Technical Specifications / Engineering Submittals

Raritan Model Number: PX3-1732

rev20180620

### LINE DRAWING



### FEATURES

|                                     |   |
|-------------------------------------|---|
| Energy Metering                     | Voltage (V), Current (A), Active Power (kW), Real Power (kVA), Energy (kWh), Power Factor   |
| Metering Accuracy                   | ISO/IEC 62053-21 1%   |
| Metering per Input Line             | Yes   |
| Metering per Branch Circuit Breaker | No  |
| Metering per Output Receptacle      | No  |
| Remote Outlet Switching             | No  |
| Environmental Sensor Ready          | Yes   |
| Replaceable Controller              | Yes   |
| Compatible Sensors                  | Temperature, Humidity, Air Flow, Differential Pressure, Water Leak, and Contact Closure   |
| Networking                          | Gigabit (10/100/1000 BaseT) Ethernet port; secondary, redundant (10/100 BaseT) Ethernet port. Optional WiFi (802.11a/b/g/n)   |
| Remote Management                   | HTTP(s); SSH; Telnet; RS-232 (Serial); Power IQ; SNMP version v2/v3; SMTP; JSON-RPC; Modbus over TCP  |
| Cascading                           | Yes, Max 16 PDUs can be daisy chained using a single Ethernet or USB connection   |
| Onboard Display                     | Color, matrix LCD display : Voltage, current, or active power (per line); Alarms; Configuration information (name, ratings, IP / Networking information); Auto-flip orientation |
| Embedded Processor                  | ARM Cortex A5 536MHZ (Atmel A5D35A), 16MB SPI Flash, 64MB DDR2 RAM  |

## Technical Specifications / Engineering Submittals

Raritan Model Number: PX3-1732

rev20180620

### INPUT

|                       |                                  |
|-----------------------|----------------------------------|
| Input Plug            | IEC 60309 3P+N+E 6h 16A (4P5W)   |
| Cord Length           | 3 meters (9.84 feet) standard    |
| Cord Entry            | Bottom-front feed                |
| Cable Type            | IP44("splashproof")              |
| Number of Power Cords | 1                                |
| Maximum Input Current | 16A                              |
| Nominal Input Voltage | 400V 3 phase                     |
| Rated Input Voltage   | 380 - 415V 3 phase               |
| Input Frequency       | 50/60Hz                          |
| Power Capacity        | 10.6kVA at 380V, 11.5kVA at 415V |

### OUTPUT

|                                  |  |
|----------------------------------|--|
| Nominal Output Voltage           | 230V   |
| Rated Output Voltage             | 220 - 240V                                   |
| Receptacles (Output Connections) | (24) IEC320 C13, 10A<br>(12) IEC320 C19, 16A |
| Securelock Support               | Yes  |
| Cord Retention                   | Yes  |
| Overload Protection              | N/A  |

### PHYSICAL

|                             |  |
|-----------------------------|--|
| Color                       | Black powder coat (custom colors available)      |
| Unit Dimensions (WxDxH)     | 2.1" x 1.7" x 70.1" ; 52mm x 43mm x 1780mm       |
| Unit Weight                 | 5.5 kg   |
| Shipping Weight             | 7.6 kg   |
| Shipping Dimensions (WxDxH) | 11.22" x 4.53" x 75.39" ; 285mm x 115mm x 1915mm |
| Mounting                    | RACK-KIT-PX2-1K-ZU                               |

## Technical Specifications / Engineering Submittals

Raritan Model Number: PX3-1732

rev20180620

### ENVIRONMENTAL

---

|                             |           |
|-----------------------------|-----------|
| Operating Temperature       | 60°C      |
| Operating Relative Humidity | 85%       |
| Operating Elevation         | 0-10000ft |

---

### CONFORMANCE

---

|                      |   |
|----------------------|---|
| Regulatory Approvals | CE, Canada ICES-003, Part 15 Class A of the FCC rules, RoHS compliant |
| Warranty             | Standard 2 years manufacturer warranty                                |

---

## Technical Specifications / Engineering Submittals

Raritan Model Number: PX3-1732

rev20180620

### CONTROL PANEL

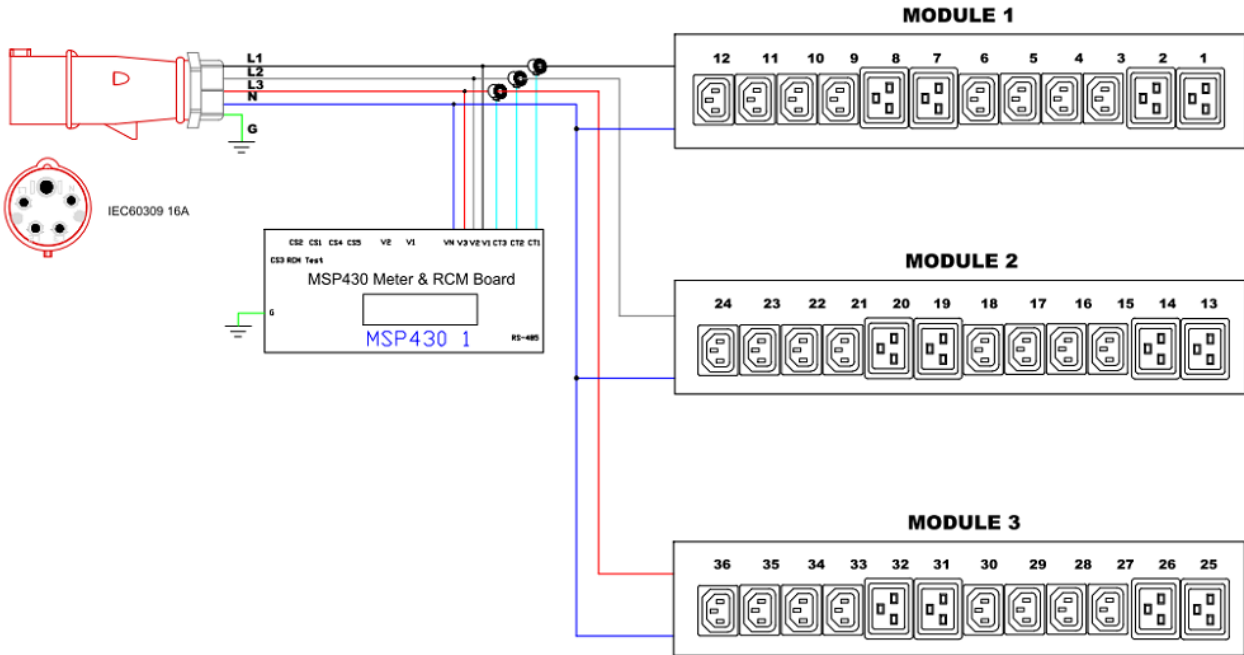


# Technical Specifications / Engineering Submittals

Raritan Model Number: PX3-1732

rev20180620

## ELECTRICAL (ONE LINE) DIAGRAM

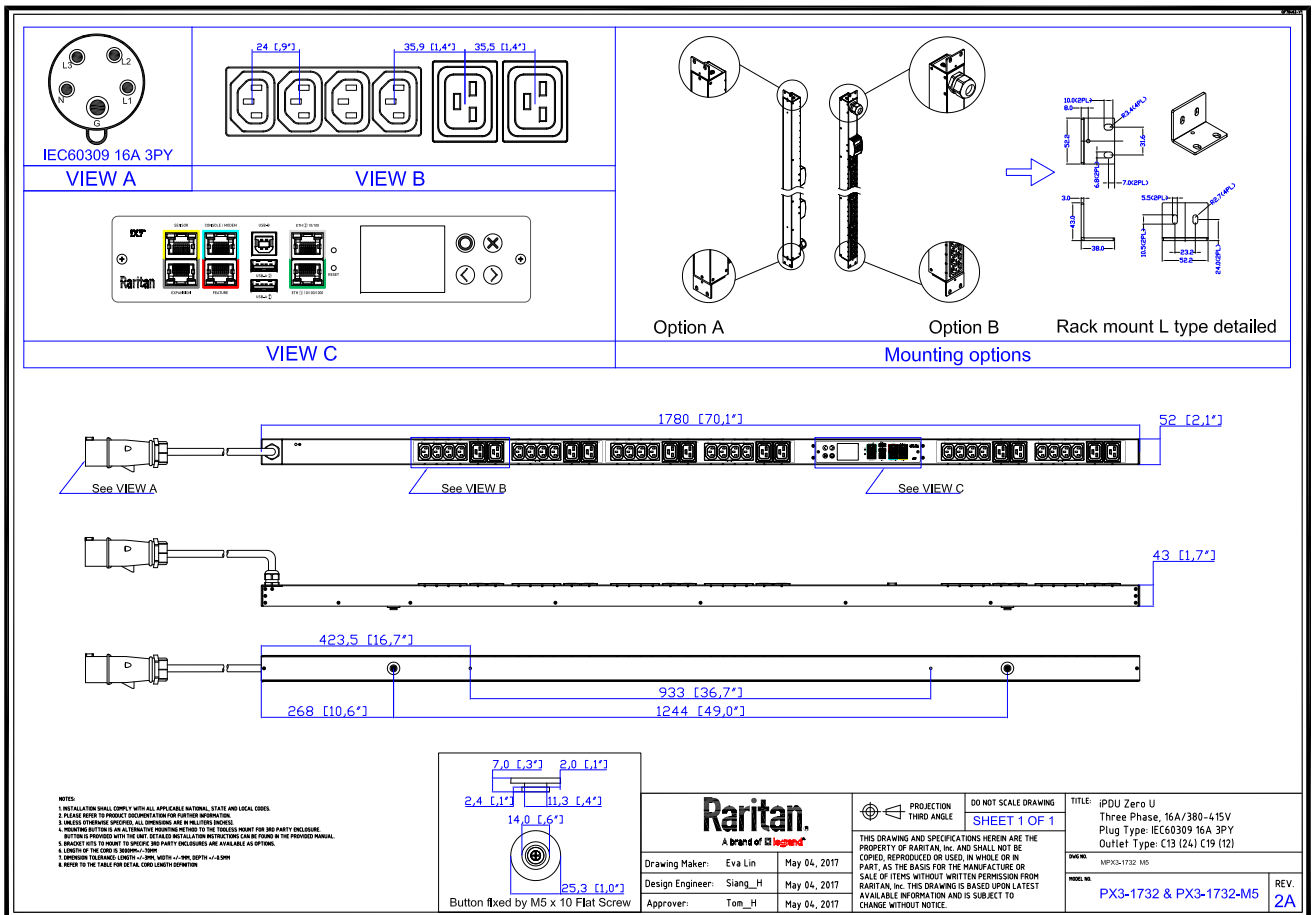


## Technical Specifications / Engineering Submittals

Raritan Model Number: PX3-1732

rev20180620

### MECHANICAL DIAGRAM



## Technical Specifications / Engineering Submittals

Raritan Model Number: PX3-1732

rev20180620

### TRIP CURVE

This file generated on: Wed, June 20, 2018 - 05:37:27