

# VIBRATOR TECHNICAL DATA SHEET

MODEL: VMX 15/3810-G/D 230/460V 60Hz 3PH

SERIE: AA FRAME SIZE: 70 P/N: 601339C

**RPM 1800**

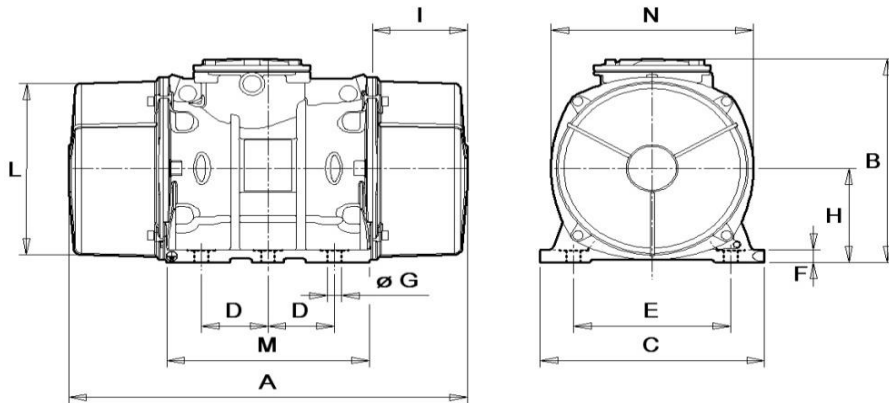
## MECHANICAL CHARACTERISTICS

| Weights Position | Static moment |      | Centrifugal Force |      |      | Bearing Life w/1.3 Load Factor | Bearing Life w/1.0 Load Factor |
|------------------|---------------|------|-------------------|------|------|--------------------------------|--------------------------------|
|                  | %             | kgmm | in.-lb            | kg   | lb   |                                |                                |
| 100              | 1034          | 89,9 | 3744              | 8237 | 36,7 | 26566                          | 63699                          |
| 90               | 931           | 80,9 | 3370              | 7413 | 33,0 | 37729                          | 90467                          |
| 80               | 827           | 71,9 | 2995              | 6589 | 29,4 | 55905                          | >100000                        |
| 70               | 724           | 62,9 | 2621              | 5766 | 25,7 | 87207                          | >100000                        |
| 60               | 620           | 53,9 | 2246              | 4942 | 22,0 | >100000                        | >100000                        |
| 50               | 517           | 45,0 | 1872              | 4118 | 18,4 | >100000                        | >100000                        |
| 40               | 414           | 36,0 | 1498              | 3295 | 14,7 | >100000                        | >100000                        |
| 30               | 310           | 27,0 | 1123              | 2471 | 11,0 | >100000                        | >100000                        |
| 20               | 207           | 18,0 | 749               | 1647 | 7,34 | >100000                        | >100000                        |
| 10               | 103           | 9,0  | 374               | 824  | 3,67 | >100000                        | >100000                        |

|                    |                       |                |                     |
|--------------------|-----------------------|----------------|---------------------|
| Weight:            | 282 lb (128 kg)       | Bearing:       | NJ 2312 E C4        |
| Working Moment:    | 180 in-lb (2068 kgmm) | Dynamic load:  | 58326 lb (26512 kg) |
| Max Static Moment: | 90 in-lb (1034 kgmm)  | Lube schedule: | 2000 hours          |


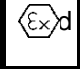


## ELECTRICAL CHARACTERISTICS

|                           |      |      | in-lb        | Nm   |
|---------------------------|------|------|--------------|------|
| Nominal input voltage:    | 230  | 460  | 88           | 9,90 |
| Nominal current (amps):   | 7,0  | 3,5  | 232          | 26,0 |
| Start current (amps):     | 56,6 | 28,3 | 385          | 43,2 |
| Start/Nom. current ratio: | 8,09 |      | 2,63         |      |
| Input power (watts):      | 2250 |      | 4,36         |      |
| Output power (hp):        | 2,5  |      | 1,88         |      |
| Service Factor:           | 1,0  |      | continuous   |      |
| Efficiency:               | 82%  |      | 40°C (104 F) |      |
| Slip:                     | 2%   |      | 20,103       |      |
| Power factor:             | 0,81 |      | 20Hz to 60Hz |      |
| Coil resist (Ω @ 20°C):   | 2,87 |      | See below    |      |
| Insulation class:         | F    |      | N/A          |      |
| Locked Rotor Code:        | L    |      |              |      |



|     | in.   | mm  |
|-----|-------|-----|
| A:  | 23,39 | 594 |
| B:  | 13,43 | 341 |
| C:  | 12,80 | 325 |
| D:  | 4,13  | 105 |
| E:  | 9,76  | 248 |
| ØG: | 0,87  | 22  |
| F:  | 0,87  | 22  |
| H:  | 6,10  | 155 |
| I:  | 5,39  | 137 |
| L:  | 10,98 | 279 |
| M:  | 12,05 | 306 |
| N:  | 11,61 | 295 |

|                                    |                    |
|------------------------------------|--------------------|
| Cable gland (not supplied) thread: | 3/4" NPT           |
| Serv. length req.per side(in):     | 137mm (5,39 inch.) |
| Mounting bolts:                    | M20 - (3/4")       |
| Mounting bolt torque:              | 38kgm (275 ft-lb)  |

| Approvals and certifications  |   |
|---|---|
|  | Class I, gr.C,D. Class II, gr.E,F,G. Class III.<br>Temp.Class T4 (135°C)                          |
|  | ATEX 2014/34/UE II2GD Ex d IIB 120°C Gb<br>Ex d IIIC T120°C Db<br>cert. n° DEMKO 07 ATEX 0612032X |
|  | IECEx std. IEC 60079-0, 60079-1, 60079-31<br>cert. n° IECEx UL 09.0034X                           |
|  | Compliance with TR CU 012/2011<br>Cert. N° RU C-TF5085.00768                                      |