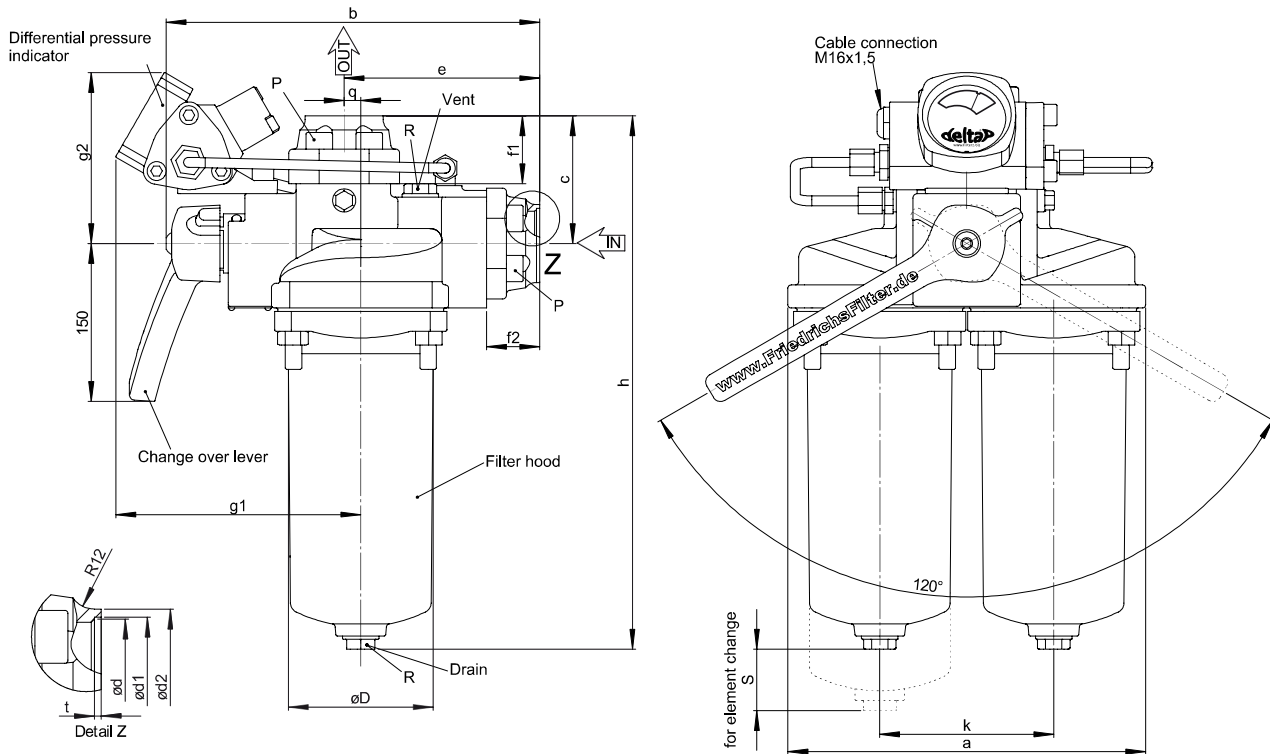


Series 4.221

Technical Data Sheet



Dimensions



Flange dimensions

DN	d	f1	f2	d1	d2	t	Remarks
32	G 1 1/4	41	32	42.2	47	2	Universal flange for screwing or welding
50	G 2	45	36	61.0	74	3	
80	-	50	41	81.0	89	-	Welding flange

Filter dimensions

DN	Installation length key	a	b	c	e	h	k	øD	R	S≈ [standard]	S≈ [inverted]	P	q	g1 ≈	g2 ≈	Weight without elements / DDA [kg]
32	L2	216	215	77	117	324	105	86	G 3/8	169	40	M 10	10	150	110	10
50	L2	260	247	92	141	435	130	110	G 1/4	250	40	M 12	9	160	130	18
80	L2	352	316	111	189	568	180	158	G 3/4	329	70	M 16	12	185	160	31

Dimensions in mm

Description

The filter is used to separate foreign particles from the particular medium (e.g. lubricating oil) and is designed for continuous filtration.

As a rule one filter chamber is operating while the other one stands full of liquid and has a clean filter element in reserve. If the operating filter element is very soiled, you can manually switch to the reserve filter element. An overlapping changeover between the two filter chambers ensures a continuous media flow.

After the changeover the soiled filter element must be removed, cleaned or replaced and re-inserted so that a reserve chamber is available for the next changeover process.

Design data

The filter unit is designed, built and tested in compliance with the European Pressure Equipment Directive 2014/68/EU and the German Equipment Safety Law.

4.221-TDB--rev5A1--en_rev1.docx

Stand: 02/2010

FRIEDRICHS FILTERSYSTEME GMBH

Lothforster Benden 2 • 41849 Wassenberg • Germany • Tel. +49-2432-9660-0 • Fax +49-2432-9660-90
 Web: www.friedrichsfilter.de • E-Mail: info@friedrichsfilter.de

fluidtech® Double Changeover Filter

This data sheet may not be utilized for the purpose of competition or for own use or made accessible to third parties (UVG § 17.21). All rights reserved in case of award or patent or registration of utility patent (§ 12 PatG). We reserve the right to change this description without notice. Technical changes reserved. All copyrights rest with the company FRIEDRICHS FILTERSYSTEME GMBH
 Lothforster Benden 2 • 41849 Wassenberg • Germany



Series 4.221

Technical Data Sheet



Design data (continued)

DN	Installation length key	Smallest flow area [mm]	Total volume [dm ³]
32	L2	ø 32	2.00
50	L2	ø 42	5.10
80	L2	ø 70	12.10

Alternative installation lengths, with different filter lengths, on request

Operating pressure: max. 16 bar (40 bar on request)

Operating temperature: max. 120°C

Flow rate data can be taken from the data sheet which is available separately (4.221-KV).

Environment and medium must not have a negative influence on the materials used!

Materials

Housing: EN-GJL-250 (alternatively EN-GJS-400-15)

Filter hood: GK-ALSi12 (Cu) (alternatively St)

Filter element: see data sheet available separately (Filterelemente_4.121_221_225--TDB)

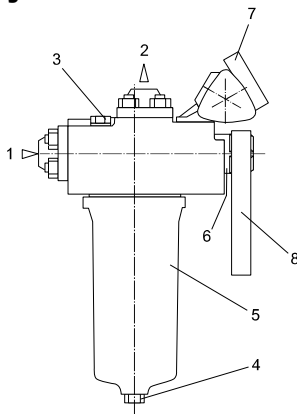
Differential pressure indicator: see data sheet available separately (5.02-TDB)

Seals: NBR (alternatively FPM)

bypass (optional): brass

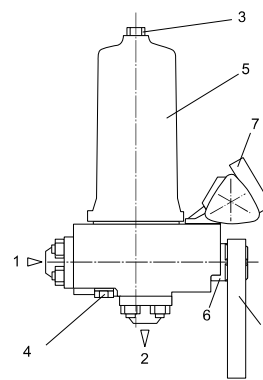
Special materials on request

Layout



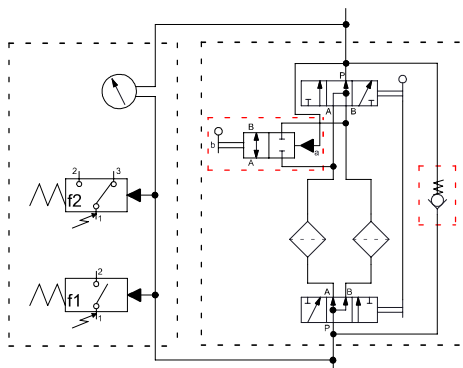
Inverted mounting (preferred design)

Legend:	
1:	Inlet
2:	Outlet
3:	Vent screw
4:	Drain plug
5:	Filter hood
6:	Change over element
7:	Differential pressure indicator
8:	Change over lever



upright mounting

Image



Type code (Order sample)

4.221-TDB--rev5A1--en_rev1.docx

Stand: 02/2010

FRIEDRICHS FILTERSYSTEME GMBH

Lothforster Benden 2 • 41849 Wassenberg • Germany • Tel. +49-2432-9660-0 • Fax +49-2432-9660-90
 Web: www.friedrichsfilter.de • E-Mail: info@friedrichsfilter.de

fluidtech® Double Changeover Filter

This data sheet may not be utilized for the purpose of competition or for own use or made accessible to third parties (LWG § 5, 17-21). All rights reserved in case of award or patent or registration of utility patent (§ 12 PatG). We reserve the right to change this description without notice. Technical changes reserved. All copyrights rest with the company FRIEDRICHS FILTERSYSTEME GMBH
 Lothforster Benden 2, 41849 Wassenberg, Germany



Series 4.221

Technical Data Sheet



The type code can be found on the type plate.

DF 4.221	-	B50	.	060	.	L2	-	V	.	H	.	BD	-	5.02-2,0
deltaP® Differential pressure indicator														
5.02-2,0 In their standard version the filters feature a deltaP® differential pressure indicator type 5.02 (the designation can be found in the separate data sheet). Other deltaP® types on request - please request our brochure.														
Pressure adjustment/limitation														
N without														
B bypass valve only														
BD bypass and pressure adjustment valve														
D pressure adjustment valve only														
Mounting direction														
H Inverted mounting														
S upright mounting														
Sealing material														
P NBR (Standard)														
V FKM														
Other materials on request														
Installation length code														
L2 Standard installation length (cast Aluminium filter)														
Other installation lengths on request (welded filter hoods)														
Filter mesh/medium														
005 optimesh® wire mesh 5µm nominal , 10µm absolute														
010 optimesh® wire mesh 10µm nominal , 25µm absolute														
015 optimesh® wire mesh 15µm nominal , 34µm absolute														
020 optimesh® wire mesh 20µm nominal , 40µm absolute														
025 optimesh® wire mesh 25µm nominal , 60µm absolute														
040 optimesh® wire mesh 40µm nominal , 80µm absolute														
060 optimesh® wire mesh 60µm nominal , 100µm														
080 precimesh® wire mesh 80µm nominal , 150µm														
100 precimesh® wire mesh 100µm nominal , 200µm														
120 precimesh® wire mesh 120µm nominal , 250µm														
150 precimesh® wire mesh 150µm nominal , 300µm														
xxx Paper, glass fibre paper														
Connection nominal diameter/installation size DN [mm]														
32 / 50 / 80														
"B" marking was introduced gradually from 2014 and in the transition phase until 2016, the "B" is missing.														
Series														
DF fluidtech® double changeover filter type 4.221														

fluidtech® Double Changeover Filter

