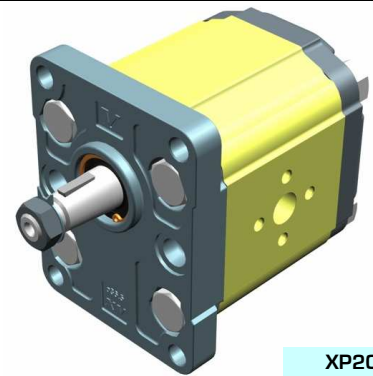


unidirectional pump - series XV

XV-2P

STANDARD EUROPEAN PUMP
 ø36.5 FLANGE - TAPER SHAFT



XP201

X 2 P 51 02 E P O A

Series	X	series XV
Group	2	group 2
Category	P	unidirectional pump
Displacement	51	17
Flange	02	Ø36.5 STANDARD EUROPEAN right rotation
Shaft	E	CO001 - Tapered 1:8 - ø17.4 - M12x1.5 - key thk.4
Body	IN	inlet - Ø40 Ø20 M8
	OUT	outlet - Ø30 Ø13.5 M6
Cover	A	standard

Technical data table

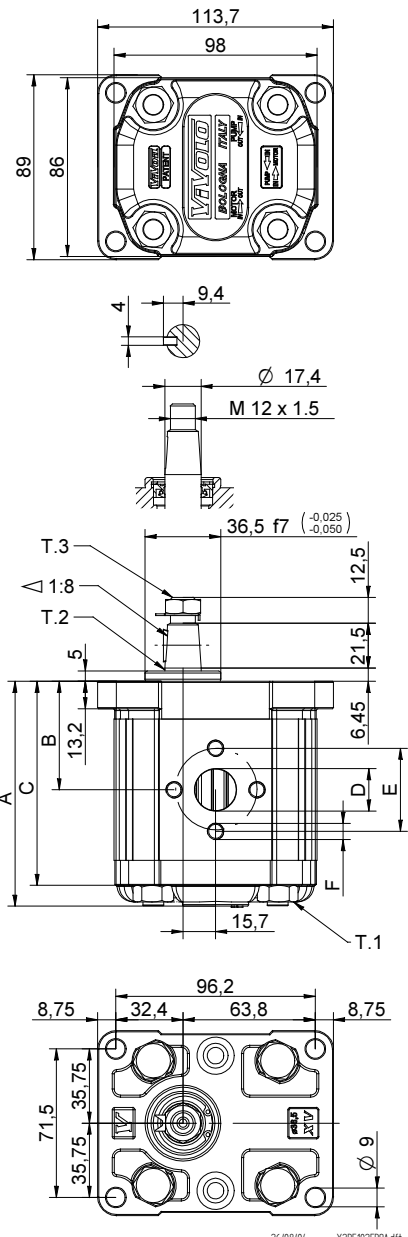
TYPE	Displacement cm3/rev	Max. Pressure		CODE	
		P1 bar	P3 bar	Left rotation	Right rotation
XV-2P/04	4,20	260	300	X 2 P 41 01 E O O A	X 2 P 41 02 E O O A
XV-2P/06	6,00	260	300	X 2 P 43 01 E O O A	X 2 P 43 02 E O O A
XV-2P/09	8,40	260	300	X 2 P 45 01 E O O A	X 2 P 45 02 E O O A
XV-2P/11	10,80	260	300	X 2 P 47 01 E O O A	X 2 P 47 02 E O O A
XV-2P/14	14,40	250	290	X 2 P 49 01 E P O A	X 2 P 49 02 E P O A
XV-2P/17	16,80	230	270	X 2 P 51 01 E P O A	X 2 P 51 02 E P O A
XV-2P/19	19,20	210	250	X 2 P 53 01 E P O A	X 2 P 53 02 E P O A
XV-2P/22	22,80	200	240	X 2 P 55 01 E P O A	X 2 P 55 02 E P O A
XV-2P/26	26,20	170	210	X 2 P 57 01 E Q P A	X 2 P 57 02 E Q P A
XV-2P/30	30,00	160	200	X 2 P 59 01 E Q P A	X 2 P 59 02 E Q P A
XV-2P/34	34,20	150	190	X 2 P 61 01 E Q P A	X 2 P 61 02 E Q P A
XV-2P/40	39,60	140	180	X 2 P 63 01 E Q P A	X 2 P 63 02 E Q P A

P1) Max. working pressure - P3) Max. peak pressure

For heavy-duty applications, it is recommended to check the admissible torque of the shaft

Dimensions table

TYPE	Weight kg	A	B	C	D	E	F	D	E	F
		mm	mm	mm	IN			OUT		
XV-2P/04	2,200	87,2	41,7	77,2	ø13,5	30	M6x1	ø13,5	30	M6x1
XV-2P/06	2,300	90,2	43,2	80,2	ø13,5	30	M6x1	ø13,5	30	M6x1
XV-2P/09	2,400	94,2	45,2	84,2	ø13,5	30	M6x1	ø13,5	30	M6x1
XV-2P/11	2,500	98,2	47,2	88,2	ø13,5	30	M6x1	ø13,5	30	M6x1
XV-2P/14	2,700	104,2	50,2	94,2	ø20	40	M8X1,25	ø13,5	30	M6x1
XV-2P/17	2,800	108,2	52,2	98,2	ø20	40	M8X1,25	ø13,5	30	M6x1
XV-2P/19	2,900	112,2	54,2	102,2	ø20	40	M8X1,25	ø13,5	30	M6x1
XV-2P/22	3,050	118,2	57,2	108,2	ø20	40	M8X1,25	ø13,5	30	M6x1
XV-2P/26	3,150	122,2	59,2	112,2	ø23,5	40	M8X1,25	ø20	40	M8X1,25
XV-2P/30	3,400	130,2	63,2	120,2	ø23,5	40	M8X1,25	ø20	40	M8X1,25
XV-2P/34	3,600	137,2	66,7	127,2	ø23,5	40	M8X1,25	ø20	40	M8X1,25
XV-2P/40	3,800	146,2	71,2	136,2	ø23,5	40	M8X1,25	ø20	40	M8X1,25



26/08/04 XV2PS102EPOA.dft

T.1 = 54÷58.9 [Nm] - screw tightening torque M10

T.3 = 40 [Nm] - torque wrench setting 19

T.2 = 233.2 [Nm] - admissible shaft torque (N.B. When choosing a shaft, always check the admissible torque).