

MAR500 series

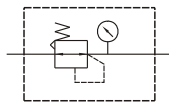
AIR UNITS (R. UNIT)



Mindman



Symbol



Specification

Model	MAR500	
Bore No.	20A	25A
Port size	3/4	1
Medium	Air	
Max. operating pressure	1 MPa	
Proof pressure	1.5 MPa	
Regulated pressure range	0.05~0.85 MPa	
Ambient temperature	- 5~ + 60°C (No freezing)	
Attachment	Pressure gauge, bracket	
Weight	1538 g	

Order example

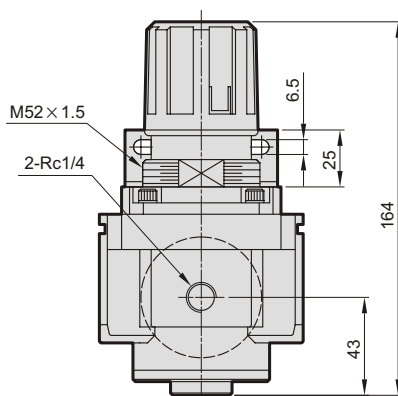
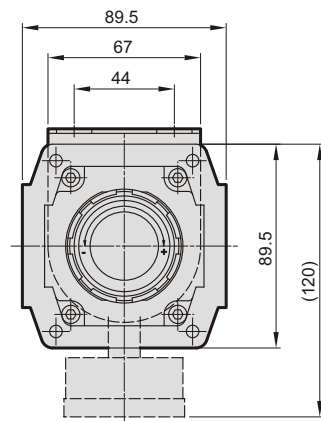
MAR500 — **20A** —

MODEL BORE SIZE PORT THREAD

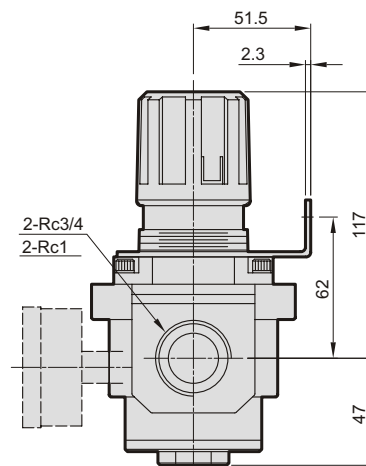
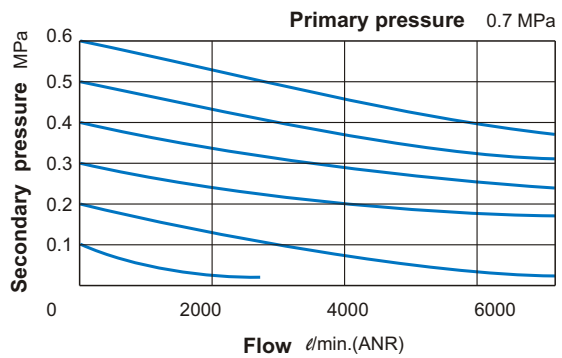
 20A: 3/4 Blank: Rc thread

 25A: 1 G: G thread

 NPT: NPT thread



Flow feature



Mindman