

BEIJING HUADE HYDRAULIC INDUSTRIAL GROUP CO.,LTD.	Check valve type S			RE 20375/12.2004
	Size 6 to 30	up to 31.5 MPa	up to 400L/min	Replaces: RE 20375/05.2001

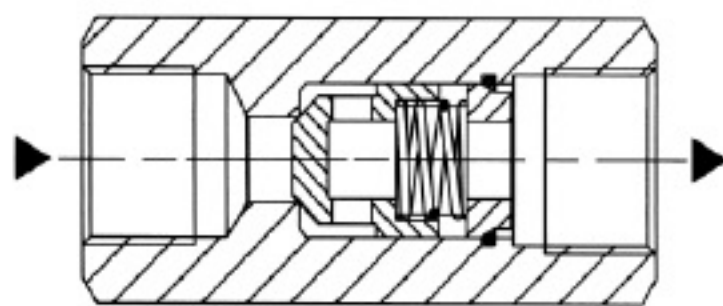
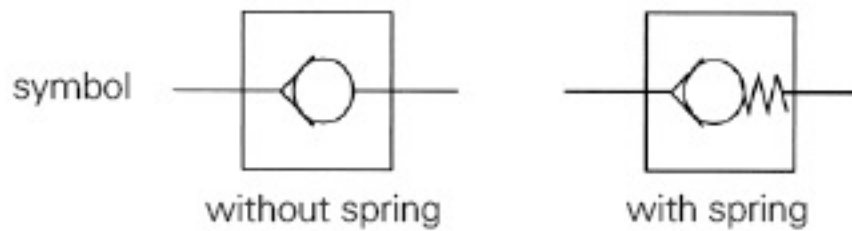
Features:

- For threaded connection
(screw-in connection)
- Subplate mounting
- Leakage-free closure in one direction
- Various cracking pressures, optional
(see ordering details)

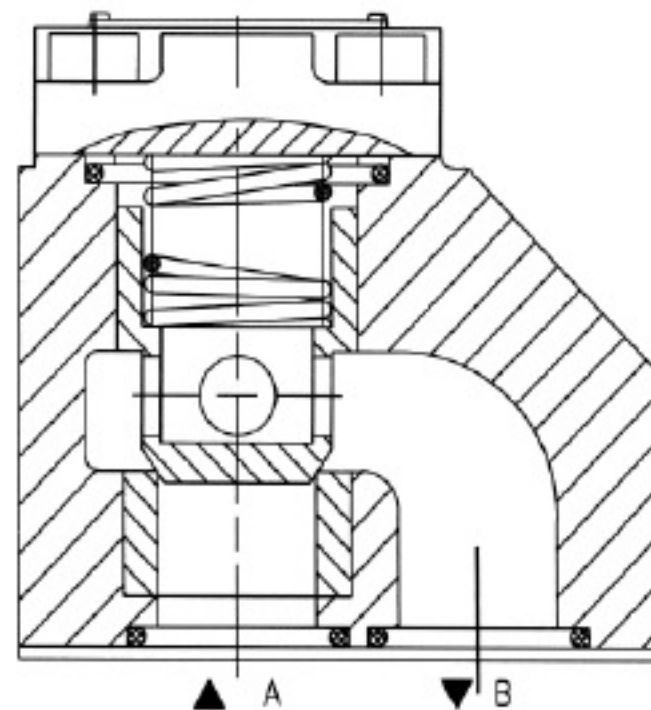


Function,section,symbols

The check valve type S has the task of, preferably closing a flow leak free in one direction and to permit free flow in the opposite direction. The stroke of the poppet, which is guided on its outside diameter, is limited by a mechanical stop. The built-in compression spring supports the closing movement. Furthermore the compression spring holds the poppet in the closed position even when there is no flow through the valve.

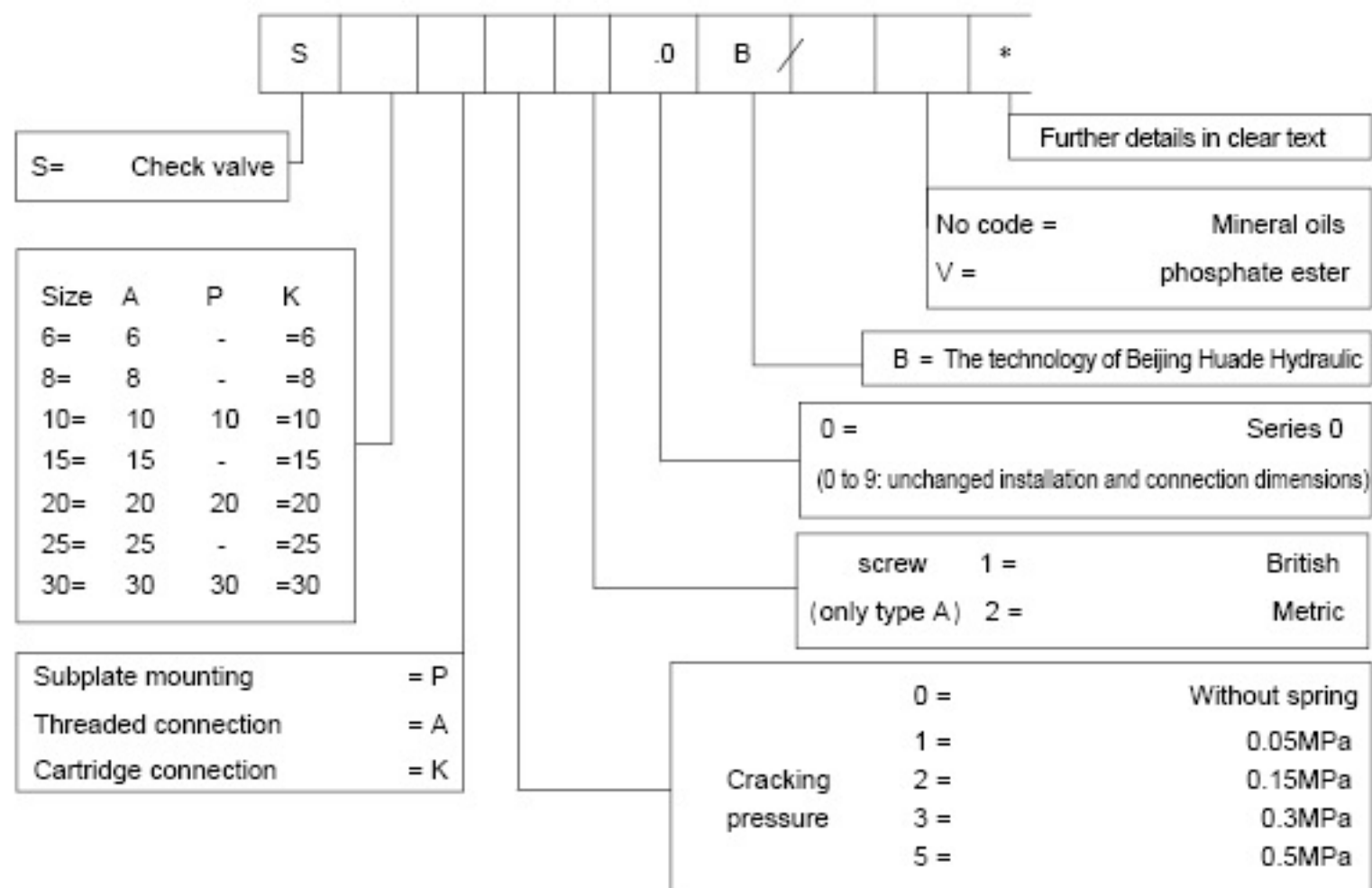


Threaded connection



Subplate mounting

Ordering details



The model of check valve cartridge

A straight-through cartridge

	K1	K2	K3
6	301889	301896	301903
8	301890	301897	301904
10	301891	301898	301905
15	301892	301899	301906
20	301893	301900	301907
25	301894	301901	301908
30	301895	301902	301909

A straight-angled cartridge

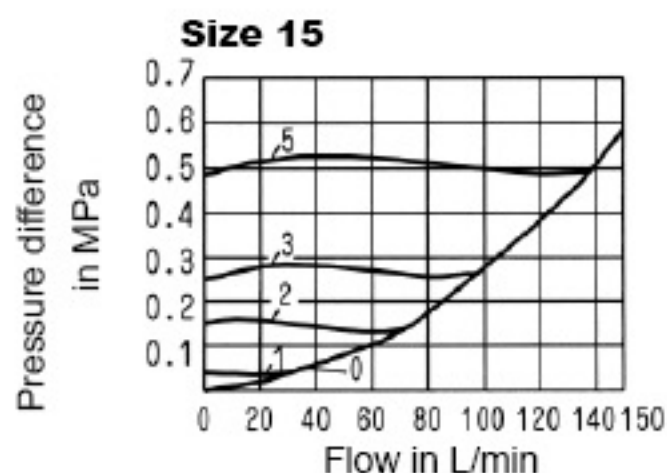
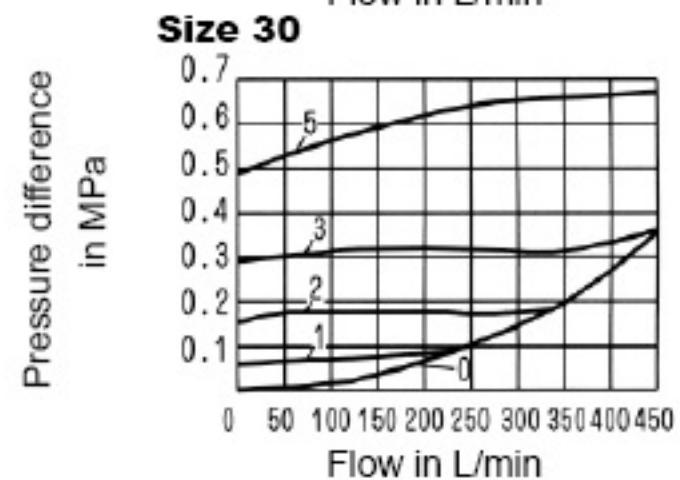
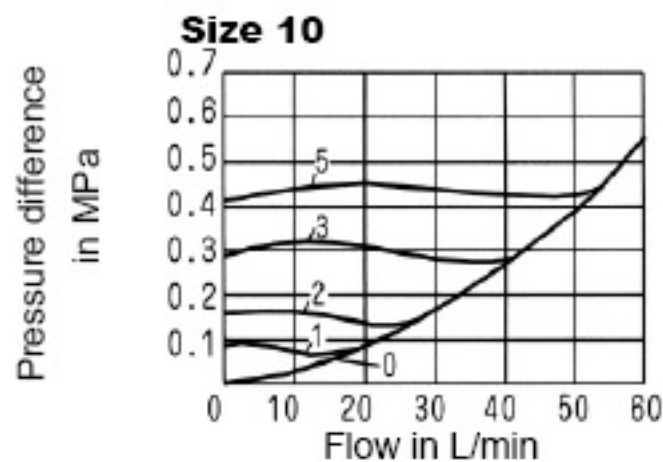
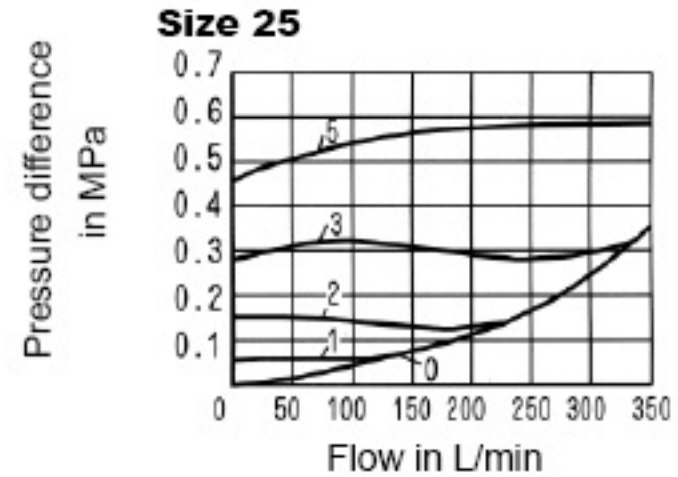
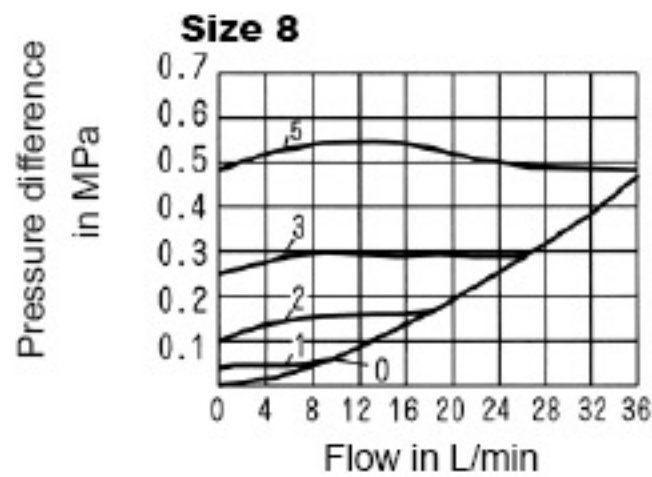
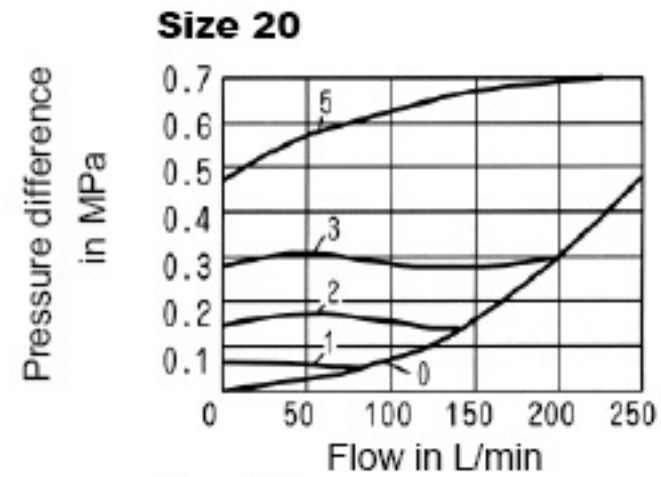
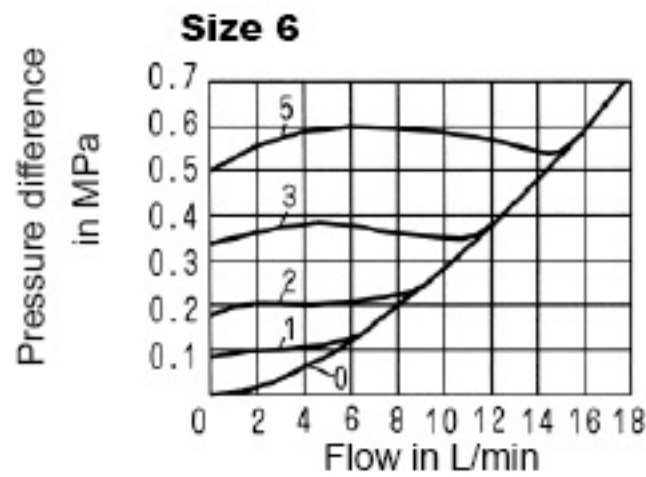
	K1	K2	K3
6	301910	301917	301924
8	317701	317702	317703
10	301912	301919	301926
15	317704	317705	317706
20	301914	301921	301928
25	301915	301922	301929
30	301916	301923	301930

For example, Booked valve inserted of size 6 with opening pressure 0.05MPa, the ordering code is: S6K1-301889

Technical data (For applications outside these parameters, please consult us!)

Pressure fluid		mineral oils or phosphate ester
Pressure fluid - temperature range	(°C)	-30~+80
Viscosity range	(mm ² /s)	2.8~500
Max.operating pressure	(MPa)	31.5
Cracking pressure	(MPa)	See characteristic curves below
Maximum flow	(L/min)	

Characteristic curves (measured at $v = 41 \text{ mm}^2/\text{s}$ and $t = 50^\circ\text{C}$)

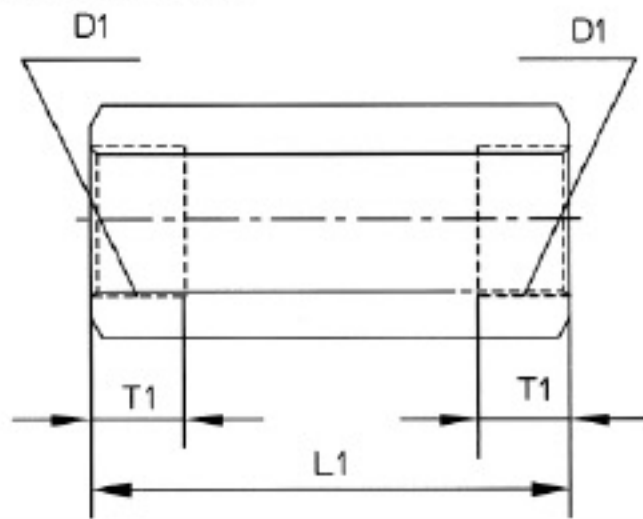


Pressure difference Δp related to the flow q_v at the cracking pressure

Unit dimensions

(Dimensions in mm)

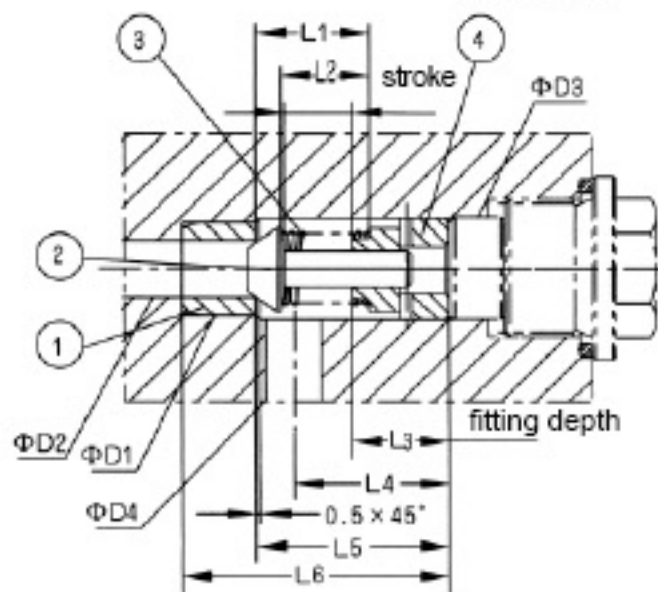
Threaded connection:



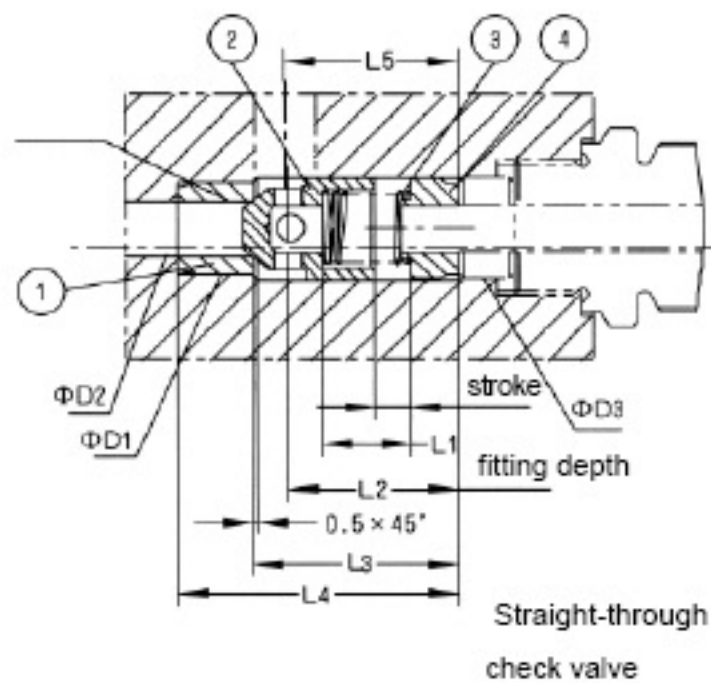
Size	6	8	10	15	20	25	30
D1	G1/4"	G3/8"	G1/2"	G3/4"	G1"	G1 1/4"	G1 1/2"
	M14X1.5	M18X1.5	M22X1.5	M27X2	M33X2	M42X2	M48X2
H1	22	28	34.5	41.5	53	69	75
L1	58	58	72	85	98	120	132
T1	12	12	14	16	18	20	22
S	19	24	30	36	46	60	65
Weight (K g)	0.1	0.2	0.3	0.5	1	2	2.5

Valve cartridge

Straight-angled check valve



N G	6	8	10	15	20	25	30
Φ D1H7	10	13	17	22	28	36	42
Φ D2	6	8	10	15	20	25	30
Φ D3H8	11	14	18	24	30	38	44
Φ D4	6	8	10	15	20	25	30
Journey	4	4	4	5	5	7	7
L1	11.2	11.9	14.3	18	18.8	28.5	28.5
L2	9.5	9.5	11.5	14.5	16	24.5	25
L3	10	16	16	18	23	31	37
L4	16.5	21.5	23.5	25.5	30	43	47.5
L5	20.5	26.5	29.5	34	40.5	57.5	63.5
L6	28.5	36.5	39.5	46	55.5	75.5	83.5
Weight	0.05Kg	0.05Kg	0.05Kg	0.1Kg	0.2Kg	0.25Kg	0.3Kg

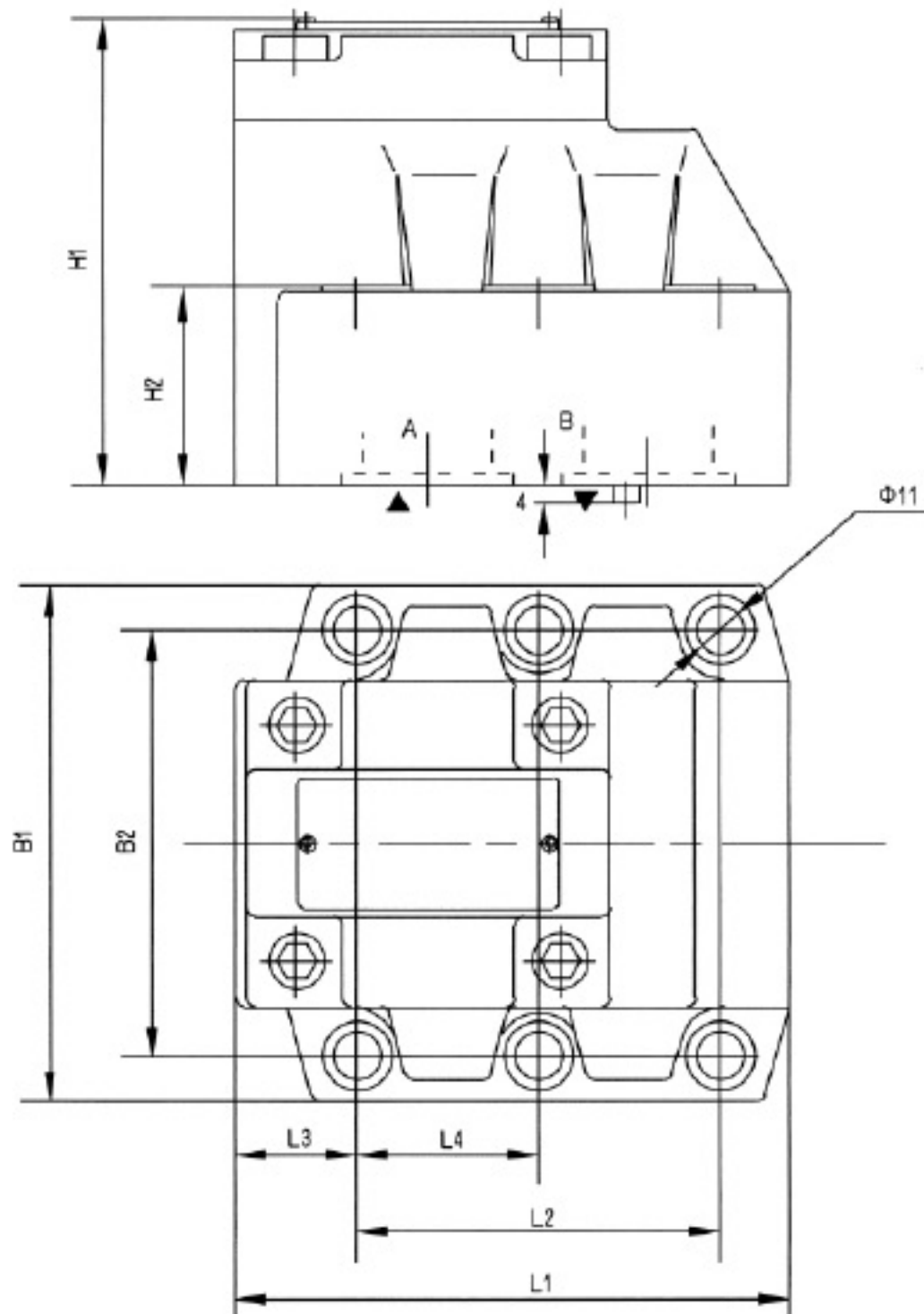


NG	6	8	10	15	20	25	30
Φ D1H7	10	13	17	22	28	36	42
Φ D2	6	8	10	15	20	25	30
Φ D3H8	11	14	18	24	30	38	44
Journey	4	4	4	5	5	7	7
L1	9.5	9.5	11.5	14.5	16	24.5	25
L2	19	18	21	27	29	29	42
L3	21.8	22.8	28.8	36.4	44	55	63
L4	29.8	32.8	38.8	48.4	59	73	83
L5	18	18	23	28	33	41	47
Weight	0.05Kg	0.05Kg	0.05Kg	0.1Kg	0.2Kg	0.25Kg	0.3Kg

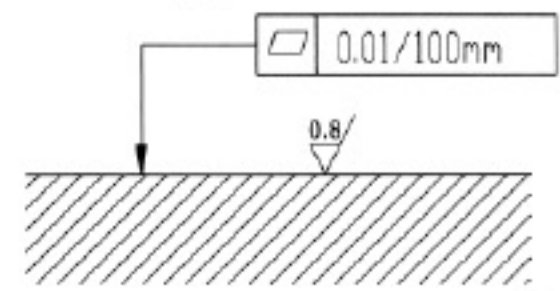
Unit Dimensions

(Dimensions in mm)

Subplate mounting:



Required surface finish of mating piece



Size	The valve fixing screws (GB/T70.1-2000)	O-ring for ports A,B
10	4-M10 × 40 -10.9	17.12 × 2.62
20	4-M10 × 50 -10.9	28.17 × 3.53
30	4-M10 × 70-10.9	34.52 × 3.53

Subplate, NG10,

G460/01 G460/02
G461/01 G461/02

NG20,

G412/01 G412/02
G413/01 G413/02

NG30,

G414/01 G414/02
G415/01 G415/02

must be ordered separately, see page 204

NG	B1	B2	L1	L2	L3	L4	H1	H2
10	85	66.7	78	42.9	17.8	-	66	21
20	102	79.4	101	60.3	23	-	93.5	31.5
30	120	96.8	128	84.2	28	42.1	106.5	46

Notice

1. The fluid must be filtered. Minimum filter fineness is 20 μm .
2. The tank must be sealing up and an air filter must be installed on air entrance.
3. Products without subplate when leaving factory, if need them, please ordering specially.
4. Valve fixing screws must be high intensity level (class 10.9). Please select and use them according to the parameter listed in the sample book.
5. Roughness of surface linked with the valve is required to $\frac{0.8}{\sqrt{\text{ }}$.
6. Surface finish of mating piece is required to 0.01/100mm.