



SRM-15.6J

15.6" Sunlight Readable LCD Monitor

- Produces Clear, Sharp Images Even in Direct Bright Sunlight
- 1,000 nits Brightness
- LED Backlights
- **TRU-Tuff** Ensures Maximum Shock & Vibration Resistance
- Lockable On-Screen Display Controls
- Dim-to-Black Via Front Pushbuttons
- Auto Re-Start After Power Loss
- 3 Year Warranty

The SRM-15.6J Sunlight Readable monitors are designed to operate in direct bright sunlight, or in other high ambient-light conditions. They utilize state-of-the-art LED backlights to produce over 1,000 nits of brightness (vs. 250-300 nits for standard monitors). This results in amazingly bright, crystal-clear images, even with direct, bright sunlight on the face of the screen. The SRM-15.6J Sunlight Readable monitors are ideal for use in a wide range of industrial, law enforcement, aviation, marine, military, inspection, advertising, material handling (cranes) and transportation applications where viewability in direct bright sunlight is crucial.

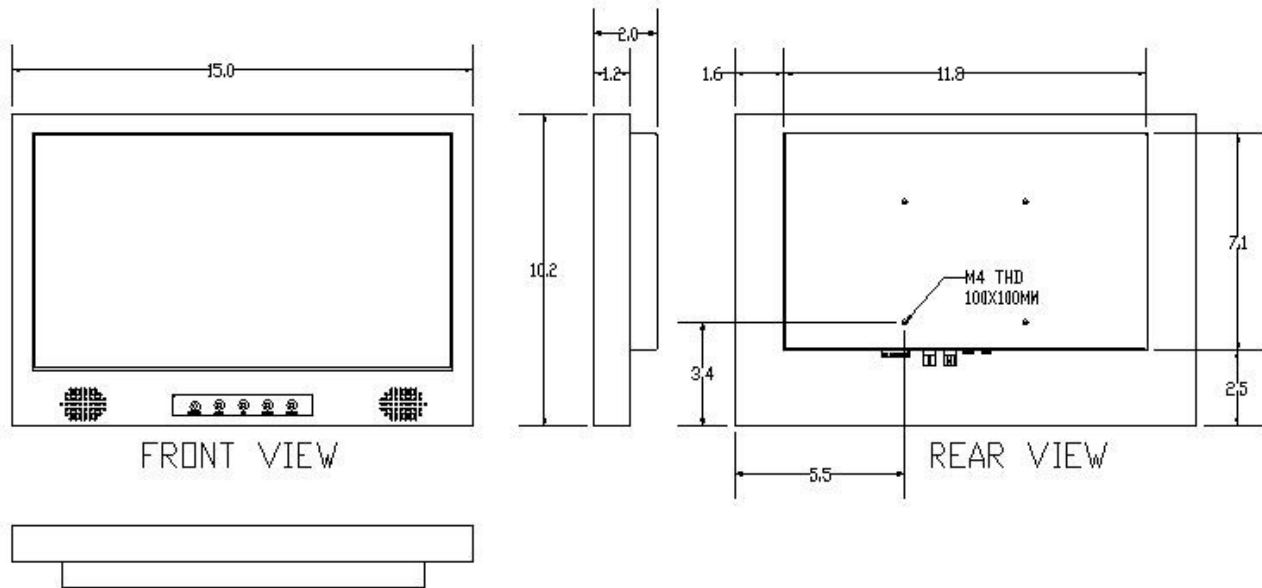
The SRM-15.6J Sunlight Readable monitor is built with industrial-grade components, and receives our exclusive **TRU-Tuff** treatment. The **TRU-Tuff** process includes: RTV silicone on all connections and critical components; all wires are dressed, tie-wrapped and secured; and ThreadLock on all screws. This, plus the rugged powder-coated steel enclosure, ensures maximum shock and vibration resistance.

MODEL	SRM-15.6J
LCD Panel	15.6" Color LCD; LED Backlights
Resolution	1366 x 768 (WXGA) (Will Accept Video Inputs up to 1920 x 1080 resolution)
Viewable Area	13.55" (W) x 7.62" (H) (344.23 x 193.53 mm)
Pixel Pitch	0.252mm
Display Colors	16.2 M
Aspect Ratio	16:9
Brightness	1,000 nits
Contrast Ratio	500:1
Viewing Angle	170° (H) x 160° (V)
Response Time	8 msec Trf
Control	OSD (On-Screen Display) via Front Panel Pushbuttons
Video Inputs	DVI, Composite BNC Loop-Thru (VGA and HDMI Via Supplied Adapter Cables)
Audio	Front Speakers
In / Output Impedance	75Ω / Auto Terminating Output
Power Requirement	12-24 VDC (2.5mm Barrel Plug with Locking Connector)
Power Consumption	25 Watts
Enclosure	Powder-Coated Steel
Mounting	100x100mm Rear VESA Mount Holes
Operating Temperature	+32° to +140° F (0° to +60° C)
Humidity	5-90% RH
Shock	50 G (20 msec, 1/2 sine)
Vibration	1.5G RMS 10-200 HZ
Dimensions	15.0" (W) x 10.2" (H) x 2.0" (D) (381.0 x 259.08 x 50.80 mm)
Weight	7.39 lbs. (3.35 kg)
Warranty	3 Years

SRM-15.6J

15.6" Sunlight Readable LCD

Dimensions: (in)



Standard Accessories:

- VGA Cable
- DVI-to-HDMI Cable
- DVI-to-VGA Adapter
- Power Pigtail with Locking Connector

Available Options:

- VGA, HDMI and DisplayPort Inputs
- Stainless Steel Enclosure
- NEMA 4X Enclosure
- 90-240VAC External Power Adapter (PS-12-LC)
- Automated Ambient Light Sensor
- Protective Anti-Reflective Glass
- Speakers
- Tabletop Base (TTB-21)
- Wall Mount Bracket
- Panel Mount
- Other Customer - Specific Modifications