

CEAG

www.ceag.de

GHG4171102R0001

AC15: U_0 250V I_0 6A

U_i 500V

CE 0168

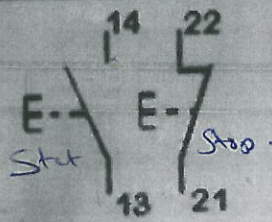


II 2G

I_{th} 16A

Ex de IIC

PTB97 ATEX 1081U

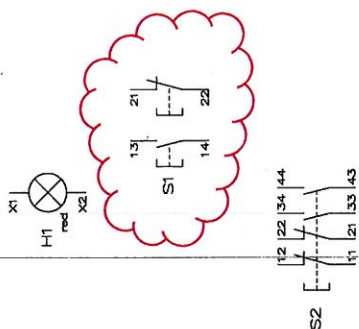
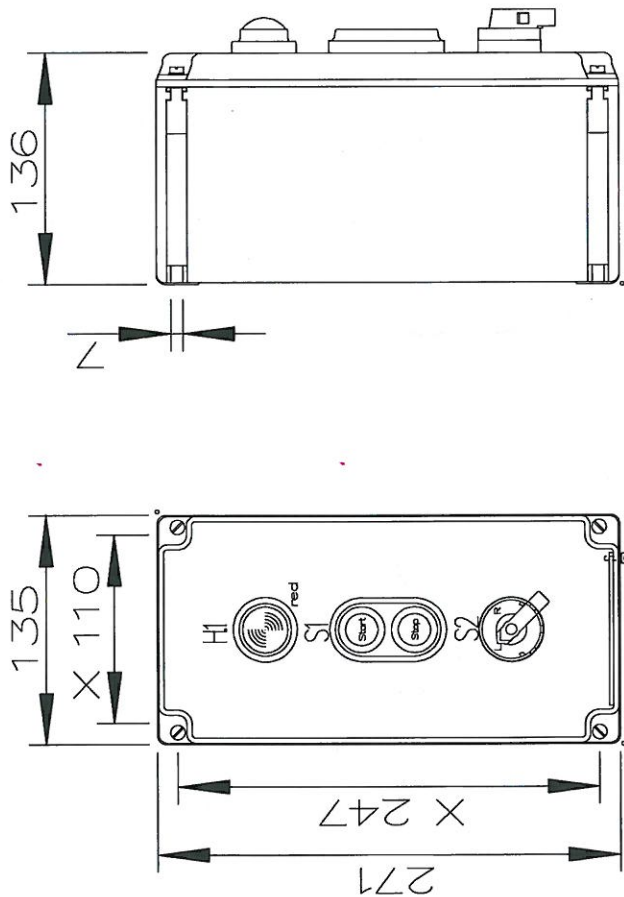


Fert. Nr.

1363

Made in
Germany

x= fixing dimension
Enclosure: Glass-fiber Reinforced Polyester (GRP)



Hence 1 NO & NC considered

CEAG GHG44
www.ceag.de
U_i 690V I_{max} 16/20A
II 2G Ex de IIC T6 PTB 99 ATEX 1044
CE 0158

"Protective note according as DIN 34"

Revst/Revision	Date	Name	2	3	4	5	6	7	8
Exp. check.	26.01.2014	Customer	Gegelec	CEAG	Dimension Drawing	Order-No.	P004551	Doc. No.	1 Kg
Regul.	Lito Monticelli	Customer-Drawing	Item 30 Qty: 3	CEAG	Ex-Control Station	Expert	205117566	Drawing No.	Sheet 1
	Origin	Repl. o	Repl. f.				ghg442474r11xx		f. sh. 1

COOPER Crouse-Hinds
GHG41



Class I Div 2
Groupe A.B.C and D
Class I Zone 1
AEx de IIC



Class I Div 2
Groupe A.B.C and D
Class I Zone 1
Ex de IIC

Rating:
240V 50/60Hz 16A

Contact Block for
use in Haz. Loc.

Segurança



CEPEL 04.0450U
Ex de IIC Gb
Temp: -20°C a +50°C