



SOUTHERN CALIFORNIA HYDRAULIC ENGINEERING CORPORATION

DESIGNERS AND MANUFACTURERS OF HYDRAULIC & PNEUMATIC EQUIPMENT

1130 COLUMBIA STREET BREA, CALIFORNIA 92821

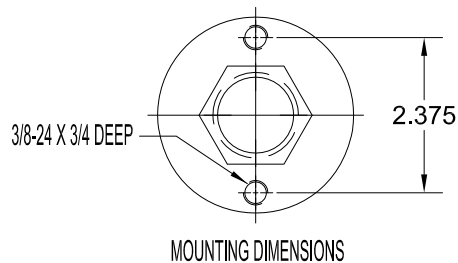
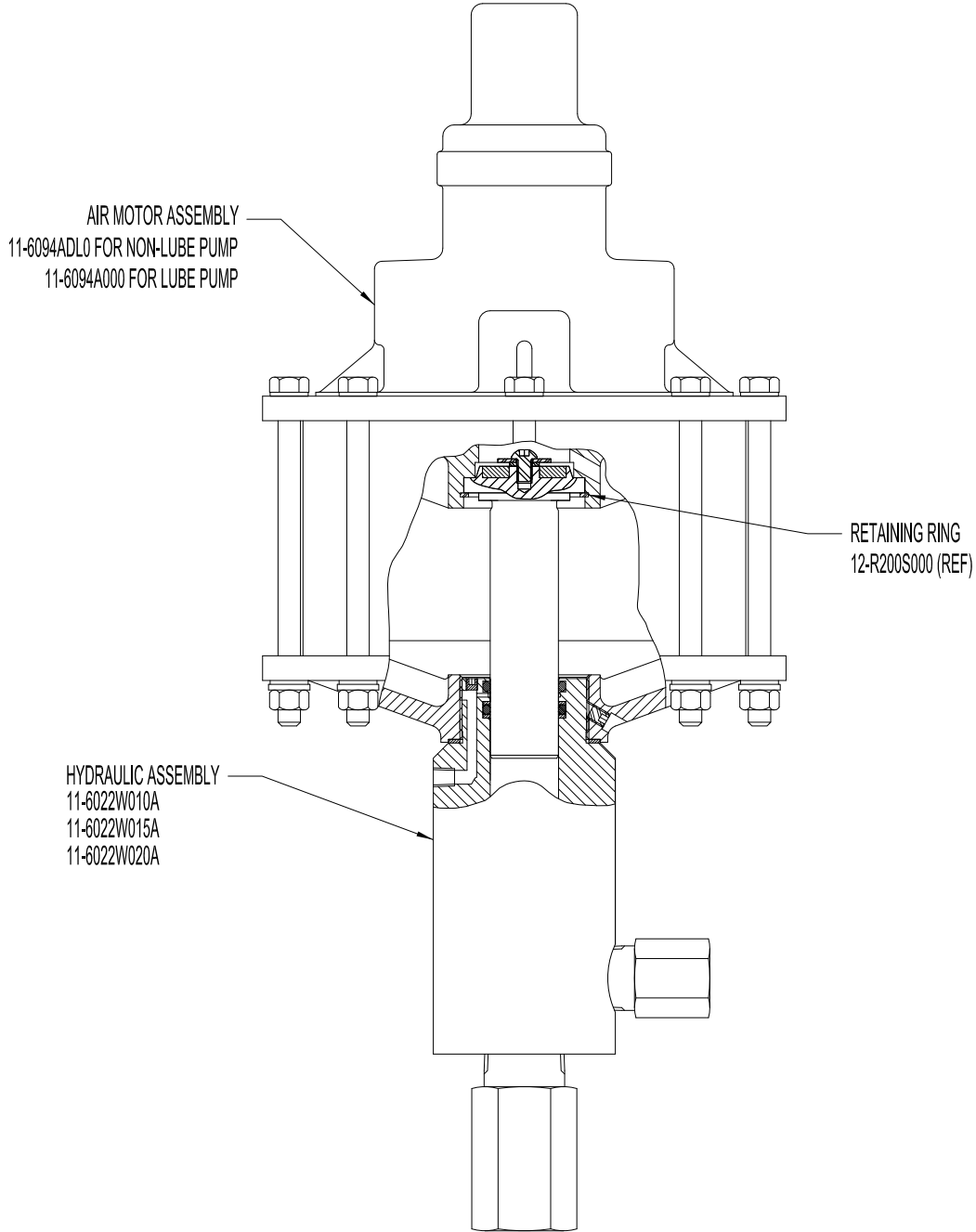
WWW.SDHYDRAULIC.COM

REV:A, 08/18/15

NON-LUBE PUMP ASSEMBLY 10-600EW010 THRU W020

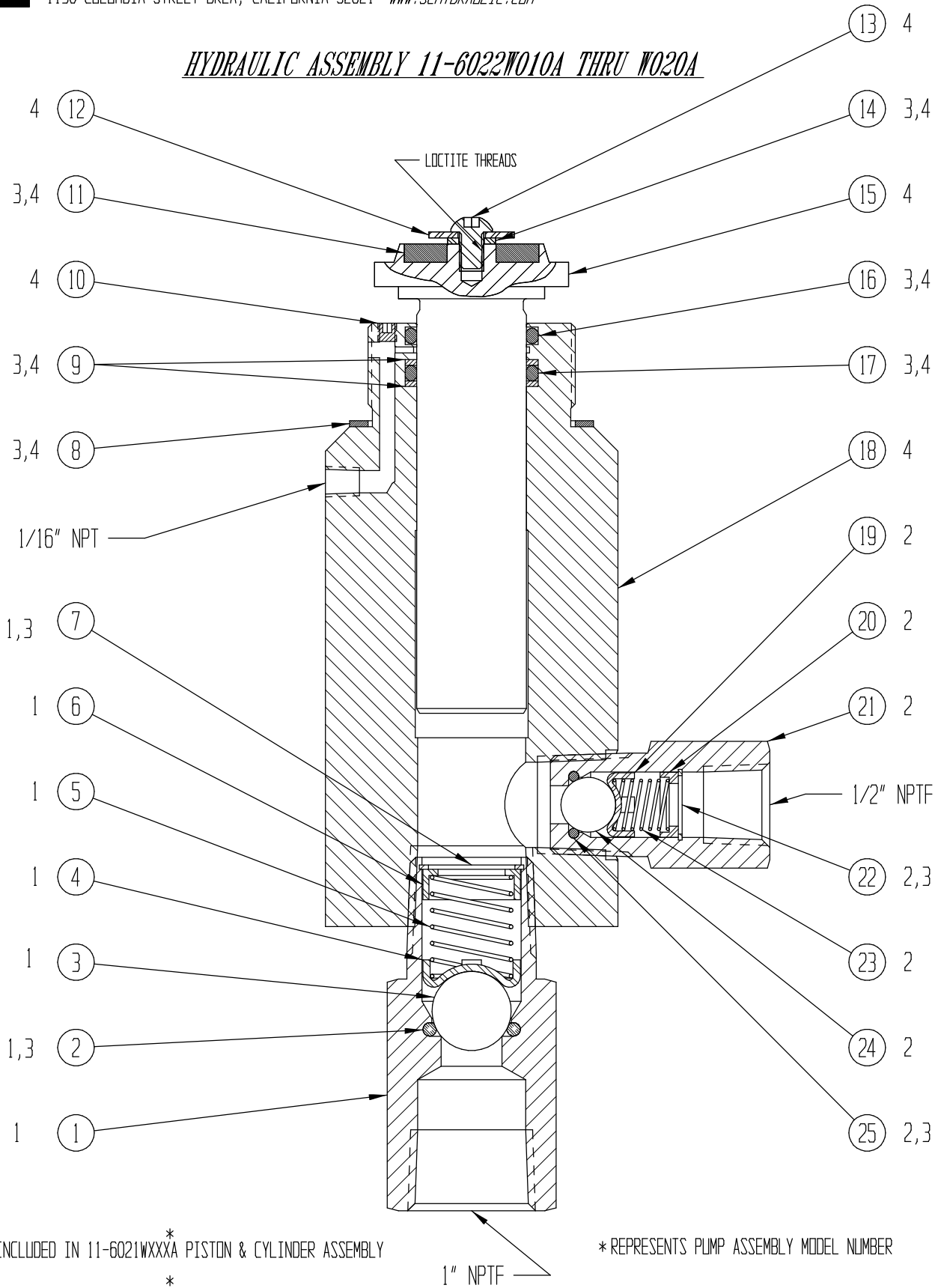
LUBE PUMP ASSEMBLY 10-600EW010L THRU W020L

(NOTE: P/N 10-600EW010 THRU W020 WAS D600EB20 THRU B35)





HYDRAULIC ASSEMBLY 11-6022W010A THRU W020A



- 4 INCLUDED IN 11-6021WXXXA PISTON & CYLINDER ASSEMBLY
- 3 INCLUDED IN 11-6099NXXXA HYDRAULIC REPAIR KIT
- 2 INCLUDED IN 11-5023S000 OUTLET CHECK VALVE ASSEMBLY
- 1 INCLUDED IN 11-5031S000 INLET CHECK VALVE ASSEMBLY

* REPRESENTS PUMP ASSEMBLY MODEL NUMBER



SOUTHERN CALIFORNIA HYDRAULIC ENGINEERING CORPORATION

DESIGNERS AND MANUFACTURERS OF HYDRAULIC & PNEUMATIC EQUIPMENT

1130 COLUMBIA STREET BREA, CALIFORNIA 92821 - (714) 257-4800 - FAX (714) 257-4810 WWW.SCHYDRAULIC.COM

BILL OF MATERIALS FILE: 10-550-022.XLS

DRAWING NUMBER & DESCRIPTION: 11-6022W010A THRU W020A BOTTOM INLET HYDRAULIC ASSEMBLY

11-6022 REVISION: 01/20/06

W010A (20:1)	W015A (25:1)	W020A (35:1)	ITEM NO	QTY	PART NO	DESCRIPTION	REFERENCE NO
•	•	•	1	1	11-5035S000	SEAT-INLET	10-450-35
•	•	•	2	1	P11003-210	O-RING	12-6227N015S
•	•	•	3	1	12-0440S812	CHECK BALL	
•	•	•	4	1	11-5034S003	BALL GUIDE	10-450-34-3
•	•	•	5	1	11-5033S000	SPRING	10-450-33
•	•	•	6	1	11-5032S000	SPRING GUIDE	10-450-32
•	•	•	7	1	P10202-100	RETAINING RING	12-R100S000
•	•	•	8	1	11-5028N000	GASKET	10-450-28
•			9	2	P11227-221	BACK UP	12-8774T026
	•		9	2	P11227-219	BACK UP	12-8774T024
		•	9	2	P11227-216	BACK UP	12-8774T021
•	•	•	10	1	P10226-019	SET SCREW	12-94105A824
•	•	•	11	1	11-5051P000	PISTON BUMPER	10-450-51
•	•	•	12	1	12-25N87WF1Z	FENDER WASHER	
•	•	•	13	1	12-25F37SBC45Z	BUTTON HEAD CAP SCREW	
•	•	•	14	1	P10212-025	HELICAL SPRING LOCK WASHER	12-5001C407
•			15	1	11-6008S010 (20:1)	HYDRAULIC PISTON	10-550-8-1
	•		15	1	11-6008S015 (25:1)	HYDRAULIC PISTON	10-550-8-1.50
		•	15	1	11-6008S020 (35:1)	HYDRAULIC PISTON	10-550-8-2
•			16	1	P11015-221	O-RING TEFLON	12-6227N026
	•		16	1	P11015-219	O-RING TEFLON	12-6227N024
		•	16	1	P11015-216	O-RING TEFLON	12-6227N021
•			17	1	P11000-221	O-RING	12-6227N026
	•		17	1	P11000-219	O-RING	12-6227N024
		•	17	1	P11000-216	O-RING	12-6227N021
•			18	1	11-6019B010A (20:1)	HYDRAULIC CYLINDER	10-550-19-1A
	•		18	1	11-6019B015A (25:1)	HYDRAULIC CYLINDER	10-550-19-1.50A
		•	18	1	11-6019B020A (35:1)	HYDRAULIC CYLINDER	10-550-19-2A
•	•	•	19	1	11-5034S002	BALL GUIDE	10-450-34-2
•	•	•	20	1	11-5017S000	SPRING GUIDE	10-450-17
•	•	•	21	1	11-5020S000	SEAT-OUTLET	10-450-20
•	•	•	22	1	P10202-068	RETAINING RING	12-R068S000
•	•	•	23	1	11-5013S000	SPRING	10-450-13
•	•	•	24	1	12-0440S562	CHECK BALL	
•	•	•	25	1	P11003-112	O-RING	12-6227N010S

Where Used 10-600EW010-W020
 Pump Assemblies D600EB20-B35