

**Physical Address:**

CRANE Instrumentation & Sampling
 405 Centura CT,
 Spartanburg, SC 29303-6603
 Phone: (864) 574-7966
 Fax: (864) 587-5608
 Email: [Click Here](#)

Mailing Address:

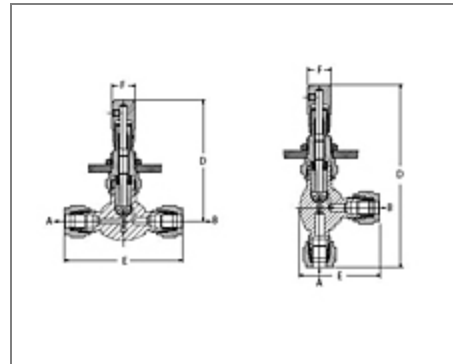
HOKE
 PO Box 4866,
 Spartanburg, SC 29305-4866

Item # 1315M4Y, Milli-Mite 1300 Series

Forged Metering Valves

Typical Applications

- Fine metering in medical and biochemical gas or vapor analysis
- Sampling and analyzing water and air pollution
- Chromatographs, mass spectrometers and other instruments where fine metering is required



Specifications

Connections - Inlet	1/4" NPT Male
Connections - Outlet	1/4" NPT Male
Flow Pattern	Globe
Body Material	316 Stainless Steel
Operating Pressure Range	5000 psig at 70° F (345 bar at 21° C)
Operating Temperature Range	-65 to +450 °F -54 to +232 °C

Cv	0.024 in
Stem	3° STEM
Orifice	0.047 in 1.19 mm
D	3 1/4 in 83 mm
E	1 3/4 in 44 mm
F	0.5 in 13 mm
Panel Hole	0.52 in 13 mm
Panel Thickness	0.16 in 4 mm
Features & Benefits	<p>Metering accuracy - 18 turn displacement of stem provides unparalleled performance and repeatability</p> <p>1° and 3° stems provide a wide flow range with ultra fine metering control</p> <p>Panel mounting is standard for all valves</p> <p>Precision orifice and close thread tolerances minimize hysteresis</p> <p>Micrometer vernier handle provides visual control and repeatable stem settings</p> <p>Dyna-Pak wafer packing below the stem threads provides leak tight service</p>