



SA-05



Sight Flow Indicator with Female Thread in Gray Cast Iron, Steel Casting or Stainless Steel

Features

- / Temperature up to 280°C
- / G1/4" to G2"
- / PN16, PN25 or PN40
- / Indicator with flap, drip tube or rotor
- / Optionally with NPT connection

Description:

Flow indicators are intended for visualization of flows in pipes. In the case of SA-05, a drip tube or a rotating plastic rotor or a movable flap are viewed through two glasses mounted in a robust flow armature for visual control of flow. Air bubbles and solid particles flowing along or the rotor's rotation speed and the position of the deflected flap enable the observer to quantitatively estimate the volume of flow.

Application:

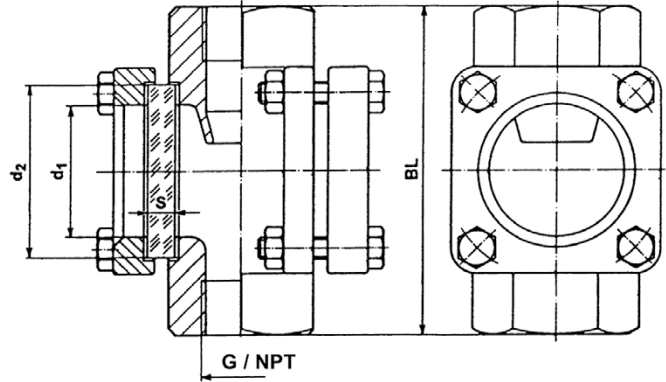
The SA-05 series of flow indicators possesses a cylindrical female thread connection which can also be designed as a conical NPT thread. They can be deployed for up to 40 bar of maximum pressure and 280°C maximum temperature. The range of materials available includes gray cast iron, steel casting or stainless steel with soda-lime or borosilicate glass. Due to these properties the SA-05 is mainly deployed in the entire manufacturing and processing industry.



Technical Specifications:

Materials /	gray cast iron GG25 or steel casting GS-C25 or stainless steel 1.4408
Cover /	GG25 for gray cast iron version GS-C25 for steel casting version 1.4408 for stainless steel version
Screws /	4.6/5.6 vz for gray cast and steel casting A4-70 for stainless steel version
Optical display /	smooth passage, from G3/4" with drip tube or flap made of st. steel 1.4571 or rotor made of POM or rotor made of PTFE
Glass material /	NaCa glass DIN 8902 up to max. 150°C or borosilicate glass DIN 7080 up to max. 280°C
Seals /	graphite (others on request)
Process conn. /	G1/4"-female to G2"-female (NPT on request)
Pressure /	PN16, PN25 or PN40 (gray cast iron max. 16 bar)
Media temperature /	SA-05.(1 or 2) max. 150°C for NaCa glass, 280°C for borosilicate glass SA-05.3 max. 120°C - SA-05.4 max. 260°C

Dimensions in mm:



Cast Iron SA-05.x.1

Connection	BL	d1	d2	S 16 bar
G 1/4"	100	32	45	10
G 3/8"	100	32	45	10
G 1/2"	100	32	45	10
G 3/4"	120	48	63	10
G 1"	120	48	63	10
G 1 1/4"	160	65	80	12
G 1 1/2"	160	65	80	12
G 2"	180	80	100	15

Cast Iron or St. Steel SA-05.x.2/3

Connection	BL	d1	d2	S 16 bar	S 25 bar	S 40 bar
G 1/4"	100	32	45	10	10	10
G 3/8"	100	32	45	10	10	10
G 1/2"	100	32	45	10	10	10
G 3/4"	120	48	63	10	12	15
G 1"	120	48	63	10	12	15
G 1 1/4"	160	65	80	12	15	20
G 1 1/2"	160	65	80	12	15	20
G 2"	230	80	100	15	20	25

Option: SA-05 out of steel casting or stainless steel are available with NPT-thread on request

Ordering Codes:

Order number	SA-05.	1.	1.	1.	16.	08
SA-05 Flow Indicator						
Optical display /						
1 = smooth passage (from 3/4" with drip tube)						
2 = with flap						
3 = with rotor made of POM (n.a. for G2")						
4 = with rotor made of PTFE						
Housing material /						
1 = gray cast iron (max. 16 bar)						
2 = steel casting						
3 = stainless steel						
Glass material /						
1 = NaCa glass (up to max. 150°C 6 max. PN16)						
2 = borosilicate glass (up to max. 280°C)						
Pressure level /						
16 = PN16 (standard)						
25 = PN25						
40 = PN40						
Process connection /						
08 = G 1/4"-IG						
10 = G 3/8"-IG						
15 = G 1/2"-IG						
20 = G 3/4"-IG						
25 = G 1"-IG						
32 = G 1 1/4"-IG						
40 = G 1 1/2"-IG						
50 = G 2"-IG						