

Basic Ejector

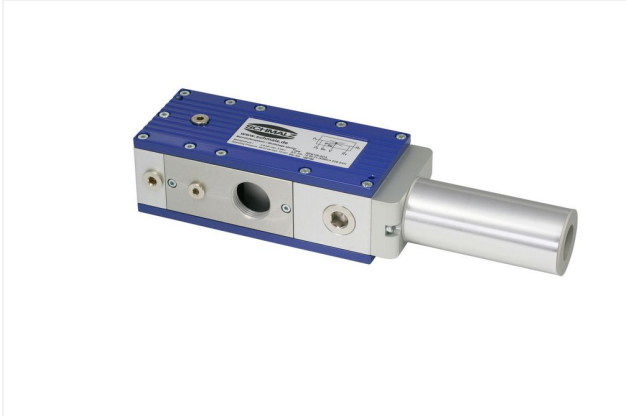
SEM 100 SDA

Part no...:10.02.01.00320

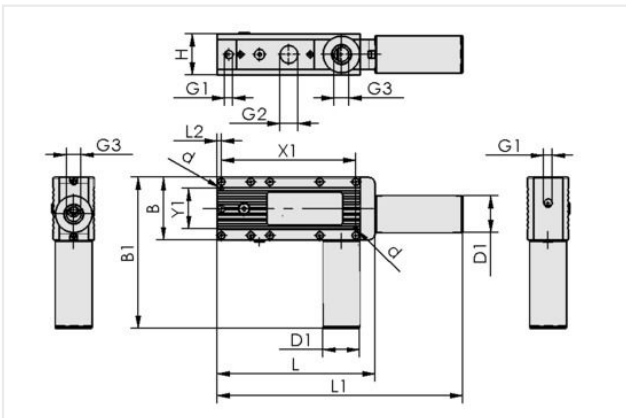
<https://www.schmalz.com/10.02.01.00320>

Home > Vacuum Lifters and Crane Systems > Vacuum Lifting Device VacuMaster > Spare and Wear Parts Vacuum Lifting Devices VacuMaster > Spare Parts VacuMaster Basic / Comfort > SEM 100 SDA

Basic ejector with maximum suction capacity



Design Data



Technical Data

Attribute	Value
Category	Vacuum generators

Accessories

Contact Schmalz

J. Schmalz GmbH | Johannes-Schmalz-Str.1, 72293 Glatten, Germany | +49 7443 2403-102 | customercenter@schmalz.de

Basic Ejector

SEM 100 SDA

Part no...:10.02.01.00320

<https://www.schmalz.com/10.02.01.00320>



VAM 40 V DR BAR

Part no...:10.07.02.00035

External diameter D: 40 mm

Measuring range: -1,00 ... 0,00 bar

Construction shape manometers: With sealing ring

Vacuum connection: G1/8"-M

Spare parts



SD G3/4-AG 50x120 SEM

Part no...:10.02.01.00312

Thread G1: G3/4"-M

External diameter D: 50 mm

Length L: 120 mm

Construction use: Multi-stage ejectors