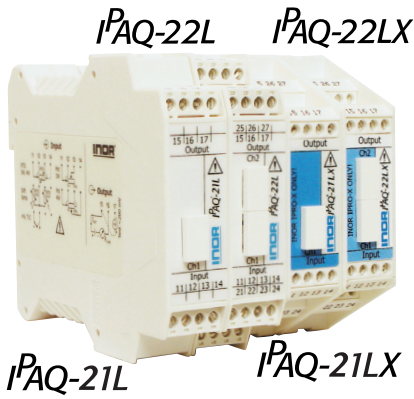


## IPAQ-21/-22

# Universal 1- & 2-channel Programmable 2-wire Transmitters



IPAQ-21LX/-22LX are 1- and 2-channel, universal, isolated 2-wire transmitters for Ex-applications.

No zener barriers or Ex power supplies are needed, which reduces costs for purchase, design and maintenance.

IPAQ-21L/-22L are 1- and 2-channel versions for non-Ex-applications.

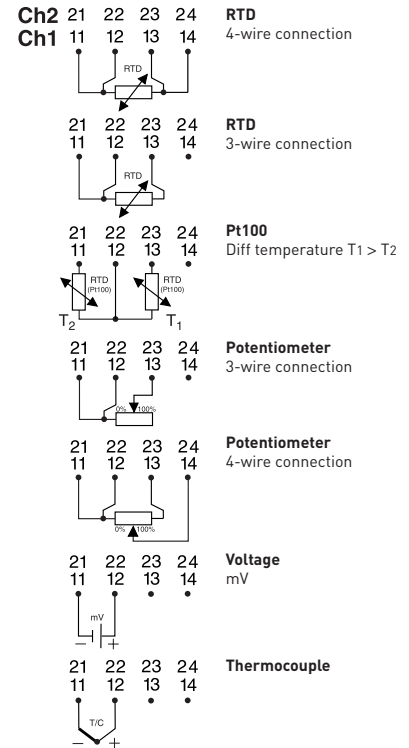
- 1- and 2-channel intrinsic safe IPAQ-21LX/-22LX
- 1- and 2-channel non intrinsic safe IPAQ-21L/-22L
- Very cost effective Ex-solution
- Fully universal, linearized and isolated
- Accepts RTD, T/C, mV and  $\Omega$
- Sensor error and system (sensor/transmitter) error correction for highest total accuracy
- Full access to all features while in operation
- NAMUR compliant
- Consistent sensor break function
- Simplified loop check-up with calibration output
- IPRO, easy-to-use Windows configuration software
- Only 11 mm/channel (2-channel versions)
- Fixed terminals or plug-in terminals with coding (see Ordering information)

### Specifications:

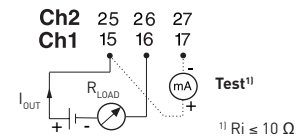
<b>Input RTD</b>	3-, 4-wire connection
Pt100 ( $\alpha=0.00385$ )	-200 to +1000 °C / -328 to +1832 °F
Pt1000 ( $\alpha=0.00385$ )	-200 to +200 °C / -328 to +392 °F
PtX $10 \leq X \leq 1000$ ( $\alpha=0.00385$ )	Upper range depending on X-value
Pt100 ( $\alpha=0.003902$ )	-200 to +1000 °C / -328 to +1832 °F
Pt100 ( $\alpha=0.003916$ )	-200 to +1000 °C / -328 to +1832 °F
Ni100 <sup>1)</sup> , Ni120 <sup>2)</sup>	-60 to +250 °C / -76 to +482 °F
Ni1000 <sup>1)</sup>	-100 to +150 °C / -148 to +302 °F
Cu10 <sup>3)</sup>	-200 to +260 °C / -328 to +500 °F
<b>Input Potentiometer/resistance</b>	3-, 4-wire connection, 0 to 2000 $\Omega$
<b>Input Thermocouples</b>	Types B, C, E, J, K, L, N, R, S, T, U
<b>Input mV</b>	-10 to +500 mV
<b>Sensor failure</b>	User definable output
<b>Adjustments - Zero</b>	Any value within range limits
<b>Adjustments - Minimum spans</b>	
Pt100, Pt1000, Ni100, Ni1000	10 °C / 18 °F
Potentiometer	10 $\Omega$
T/C, mV	2 mV
<b>Output</b>	4-20 / 20-4 mA, temperature linear
<b>Operating temperature</b>	IPAQ-21L/-22L -20 to +70 °C / -4 to +158 °F
	IPAQ-21LX/-22LX -20 to +60 °C / -4 to +140 °F
<b>Galvanic isolation</b>	1500 VAC, 1 min
<b>Power supply</b>	8 to 36 VDC
<b>Intrinsic safety</b>	IPAQ-21LX/-22LX ATEX: II (1) GD [EEx ia] IIC Mounting in safe area, Umax=250 VAC
<b>Typical accuracy</b>	$\pm 0.1$ % of span
<b>Mounting</b>	Rail acc. to DIN EN50022, 35 mm

<sup>1)</sup>DIN 43760 <sup>2)</sup>Edison No. 7 <sup>3)</sup>Edison No. 15

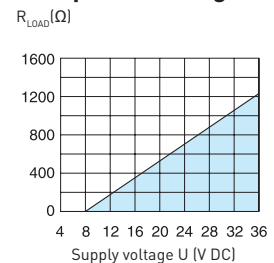
### Input connections



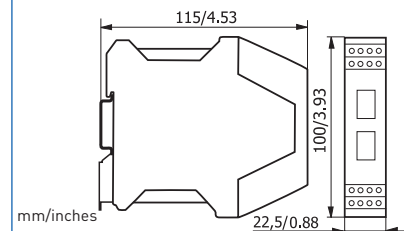
### Output connections



### Output load diagram



### Dimensions



### Ordering information

IPAQ-21L 1-Channel, Plug-in terminals	70IP21L001
IPAQ-22L 2-Channel, Plug-in terminals	70IP22L001
IPAQ-21LX, Ex, 1-Ch., Fixed terminals	70IP21LX01
IPAQ-22LX, Ex, 2-Ch., Fixed terminals	70IP22LX01
IPAQ-21LX, Ex, 1-Ch., Plug-in terminals	70IP21LX02
IPAQ-22LX, Ex, 2-Ch., Plug-in terminals	70IP22LX02
PC Configuration Kit	70CFG00092
Configuration	70CAL00001