

FOR	LEVEL SWITCH	
MOUNTING	SIDE	
PROTECTION	WEATHER PROOF	
MAX. PRESSURE	10	Kgf/cm ²
MAX. TEMP.	100	°C

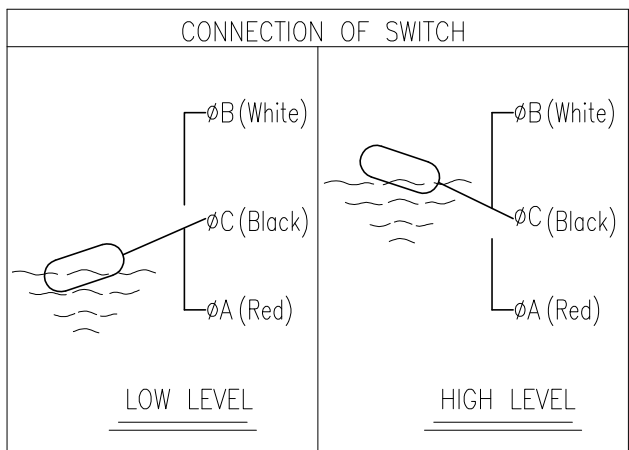
PROCESS CONN. SIZE	<input checked="" type="checkbox"/> 50A JIS 10K RF(STD.) <input type="checkbox"/>
--------------------	--

CABLE ENTRY	<input checked="" type="checkbox"/> PF 1/2"(F) (STD.) <input type="checkbox"/>
-------------	---

NO.	DESCRIPTION	MATERIAL	REMARK
1	COVER	AL.C	
2	BODY	AL.C	
3	PROCESS CONN.	<input checked="" type="checkbox"/> 304 SS <input type="checkbox"/> 316L SS	
4	FLOAT	316L SS	
5	STOPPER	316L SS	
6	MAGNET HOLDER	316L SS	
7	ROD	316L SS	
8	PIN	316L SS	
9	NAME PLATE	AL	

SWITCH	TYPE	MICRO SWITCH	
	CONTACT	FROM	<input checked="" type="checkbox"/> SPDT <input type="checkbox"/> DPDT
		RATING	AC 250V, 5A/DC 120V, 0.5A

TAG NO.	Q'TY
	1



NOTE
1. GENERAL TOLERANCE ± 3 mm EXCEPT AS NOTED.

						HITROL CO., LTD.	SCALE	UNIT	SHEET NO.
							N.S	mm	/
						TITLE FLOAT TYPE LEVEL SWITCH HM-10	PROJECT		
	JUL. 2017	1ST ISSUE	S W JUNG	J H CHOI	B S SUNG		DRAWING NO.		
NO.	DATE	REVISION	REV'D BY	CHK'D BY	APP'D BY		HM10-A-01		

This drawing is the property of HITROL and shall not be copied, communicated, or given for third-party except with our written permission.