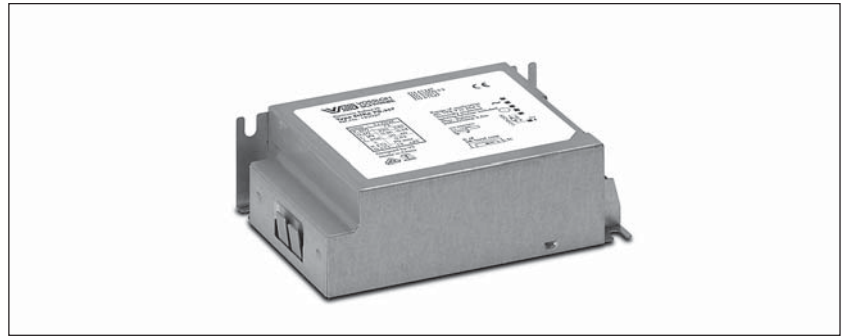


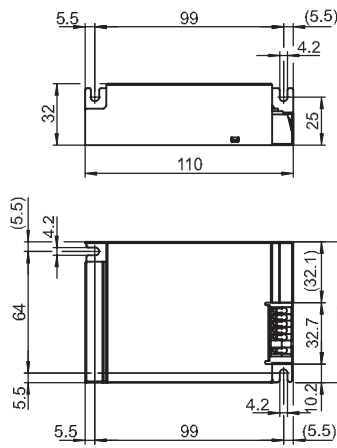
Electronic Ballasts for HI Lamps 35 and 70 W

Shape: M3 EffectLine

- Casing: heat-resistant polycarbonate
- For ceramic discharge tube lamps (C-HI)
- Power factor: ≥ 0.95
- Ignition voltage: max. 5 kV
- Operation frequency: 173 Hz
- Push-in terminals with push-button: 0.5-1.5 mm²
- Total harmonic distortion: < 10%
- Temperature protection
- Constant power consumption
- Protection against "no load" operation
- For luminaires of protection class I and II
- Degree of protection: IP20
- Permissible load capacity: 20-120 pF
- RFI-suppressed
- Life-time at $t_c \text{ max.} = 30,000$ hrs
- Fixing brackets for screws M4 for base mounting



M3 EffectLine



Lamp				Electronic ballast								System
Output W	Type	Base	Power consumption W	Type	Ref. No.	Voltage AC 50, 60 Hz V $\pm 10\%$	Mains current A	Energy efficiency	Ambient temperature t_a [°C]	Casing temperature t_c [°C]	Weight g	Output W
new 35	HI	GU6.5, G8.5, GU8.5, GX8.5, G12, E27	1 x 39	EHXe 35.356	183026*	220-240	0.20-0.18	A2	-15 to 65	max. 80	220	43
new 70	HI	G8.5, GU8.5, GX8.5, G12, PG12-2, E27, RX7s	1 x 73	EHXe 70.357	183027*	220-240	0.36-0.34	A2	-15 to 50	max. 75	220	80

Circuit diagrams see page 190

* In development